

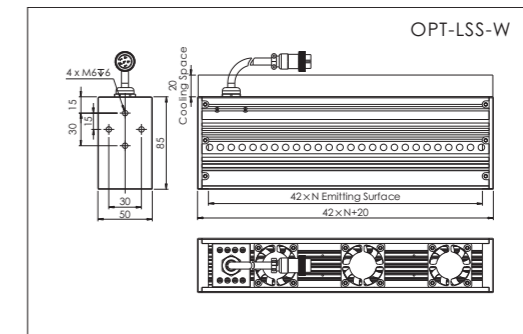
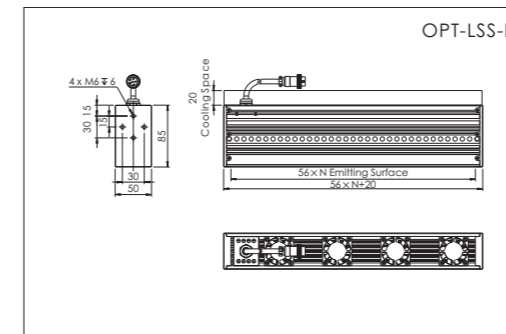
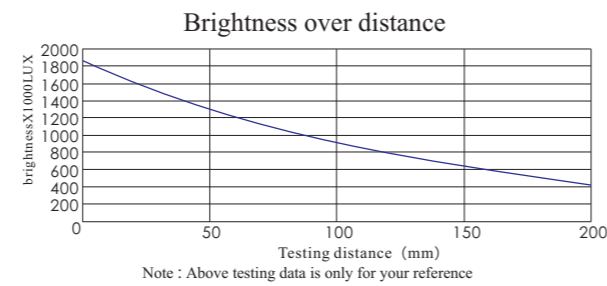
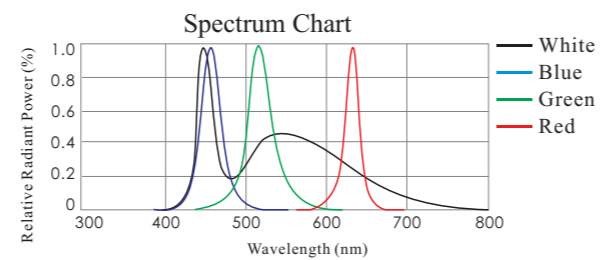
Model Table

No.	Model	Output power	Color	Number of channels	Recommended controller
1	OPT-LSS62F	0.7A/16.8W	○	1	OPT-DPA6024
2	OPT-LSS104F	1.4A/33.6W	○	1	OPT-DPA6024
3	OPT-LSS146F	2.1A/50.4W	○	1	OPT-DPA6024
4	OPT-LSS188F	2.8A/67.2W	○	1	OPT-DPA6024
5	OPT-LSS230F	3.5A/84W	○	1	OPT-DPA6024
6	OPT-LSS272F	4.2A/100.8W	○	1	OPT-DPA6024
7	OPT-LSS356F	5.6A/134.4W	○	2	OPT-DPA6024
8	OPT-LSS440F	7A/168W	○	2	OPT-DPA6024

No.	Model	Power output	Color	Number of channels	Recommended controller
9	OPT-LSS76F	0.7A/16.8W	●	1	OPT-DPA6024
10	OPT-LSS132F	1.4A/33.6W	●	1	OPT-DPA6024
11	OPT-LSS188F	2.1A/50.4W	●	1	OPT-DPA6024
12	OPT-LSS244F	2.8A/67.2W	●	1	OPT-DPA6024
13	OPT-LSS300F	3.5A/84W	●	1	OPT-DPA6024
14	OPT-LSS356F	4.2A/100.8W	●	1	OPT-DPA6024
15	OPT-LSS468F	5.6A/134.4W	●	2	OPT-DPA6024
16	OPT-LSS580F	7A/168W	●	2	OPT-DPA6024

* 1. White and red light source's illuminate distance is different from blue, green.
2. Blue and green light source are customized.

Dimensional Drawings [mm]



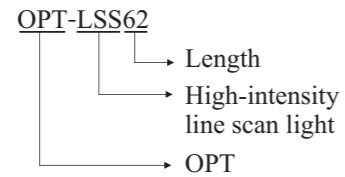
Product Features

- 1 Maximum brightness can reach up to 1.8M lux
- 2 For high brightness requirements
- 3 High-uniformity, ultra-compact size
- 4 Available as various installations
- 5 Unique cooling design

Application Cases

- ◆ High-speed online inspection
- ◆ High intensity for long working distances
- ◆ High-speed print inspection

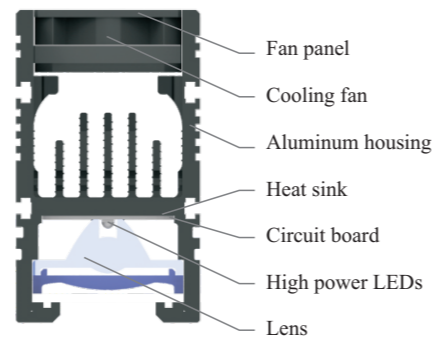
Selection Guide



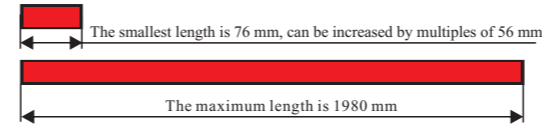
Customization Options

- Color
- Connector
- Size
- Mount method
- Cooling mode
- Working way

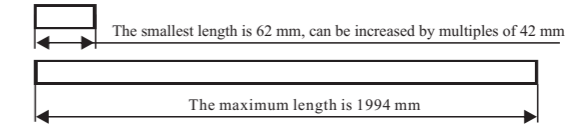
Section Structure Drawing



Customizable length

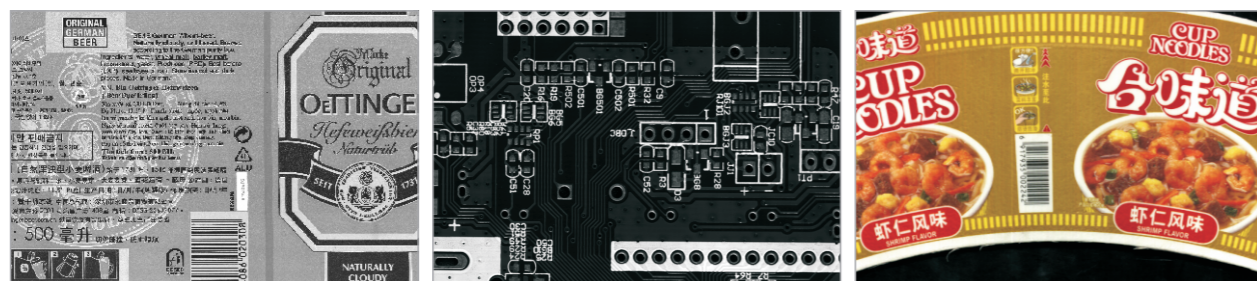


The smallest length of a red light is 76 mm, can be increased by multiples of 56 mm up to 1980 mm. Other lengths are available as customized versions. Remark: For the number of light channels please refer to the parameter chart



The smallest length of white lights is 62 mm, can be increased by multiples of 42 mm up to 1994 mm. Other lengths are available as customized versions. Remark: For the number of light channels please refer to the parameter chart.

Application Example



Inspecting printing on the surface of beer cans

Letter reading on PCB boards

Printing inspection