



ROCKCOM
洛克康科技

工业自动化、机器视觉线缆 新产品 2019

Industrial automation and
machine vision cable
New products 2019

- IEEE1394 Cable
- CoaXPress Cable
- High Flexible Cable
- Gigabit Ethernet Cable
- Industrial Ethernet Cable
- I/O Cable
- USB2.0 Cable
- USB3.0/USB3.1 Cable
- Camera Link Cable
- OEM/ODM Cable

www.rockcom.net.cn



www.rockcom.net.cn

ROCKCOM 洛克康科技

邮箱: leo@rockcom.net.cn

地址: 北京·昌平科技园区

深圳·宝安区沙井工业园

电话: 010-60749528/9525

传真: 010-60749525-610

Email:leo@rockcom.net.cn

Address:Changping District Beijing

Shajing Industrial Park Baoan District Shenzhen

Tel:010-60749528/9525

Fax:010-60749525-610



北京·深圳
beijing·shenzhen

匠心十载 品质卓越

Ingenuity of ten loads of quality

高效 **创新** **协作** **共赢**
 EFFICIENT INNOVATION COLLABORATION WIN-WIN



■ 目录

公司简介 Company profile.....	02
Camera Link 线缆 Camera Link Cable.....	04
拖链千兆网线 High Flex GigE Cable.....	06
USB3.0A/MicroB 线缆 USB3.0A/MicroB Cable.....	08
USB2.0A/Mini USB 线缆 USB2.0A/Mini USB Cable.....	10
I/O 触发线 I/O Cable.....	12
工业以太网线 Industrial Ethernet Cable.....	18
CoaXPress 线缆 CoaXPress Cable.....	22
1394 线缆 1394 Cable.....	24
LMI 线缆 LMICable.....	25
PROFIBUS总线 PROFIBUS Cable.....	26
连接器总览 Connector accessories.....	28

CONTENTS

ROCKCOM
洛克康科技

兼容以下品牌：





About us

关于我们 洛克康科技

Beijing Rockcom Technology Co., Ltd. is a high-tech enterprise specializing in the field of machine vision, industrial automation, wire and cable, connectors and cable components development, production, sales and service. It is a senior member of Machine Vision Association. The company has Research and Development Centre production bases in Beijing and Shenzhen, and has an efficient R & D, sales and production management team, high-end manufacturing equipment and sophisticated analytical testing instruments.

The company provides a cable fully compatible with major domestic and international vision products, support OEM/ODM customization, provide cable solutions, especially in the towline cable, meet the special needs of customers, to high-quality products, fast delivery, win-win price, customers get the recognition.



北京洛克康科技有限公司是一家专注于机器视觉及工业自动化领域的线缆、连接器以及线缆组件研发、生产、销售和服务为一体的高科技企业，是机器视觉协会资深会员。公司在北京、深圳设有研发中心和生产基地，拥有高效的研发、销售和生产管理团队，高端的生产制造设备和精密的分析测试仪器。

公司提供的线缆完全兼容国内外各大视觉产品，支持OEM/ODM个性化定制，提供电缆解决方案，特别是在拖链线材方面，满足客户特殊需求，以优质产品、快速交期、共赢价格，得到广大客户的认可。

Camera Link 线缆 Camera Link Cable

产品名称：Camera Link 线缆

产品种类：高柔/PoCL拖链供电（SDR/SDR、MDR/MDR、SDR/MDR）

线材规格：28AWG OD:9.3mm

耐折次数：500万次

产品特性：耐油护套，适用于工业环境。

特殊编织屏蔽提高抗干扰性能。

原装进口日本HONDA连接器，支持PoCL供电。

采用高耐曲特殊聚合物，具备高耐弯曲扭转和高耐滑动性能。

支持工业高速相机的图像传输方式。

适用品牌：Dalsa、Sony、JAI、AVT、PointGrey、OMRON、Vieworks等

标准长度：1/3/5/8/10米（可定制各种长度）

Product Name: Camera Link Cable

Product type: High-FlexPoCL power supply chain (SDR/SDR, MDR/MDR, SDR/MDR)

Specification: 28AWG OD:9.3mm

Folding times: 5 million times

Product features: Oil resistant sheath, suitable for industrial environment.

Special braiding shielding improves anti-interference performance.

Original imported Nippon HONDA connector, support PoCL power supply

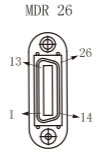
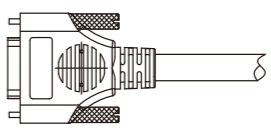

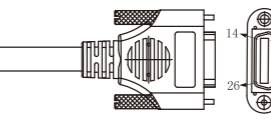
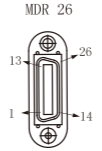
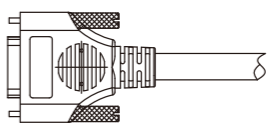
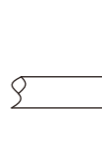
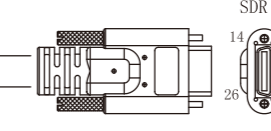
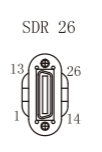
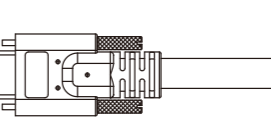
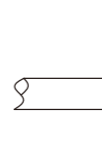
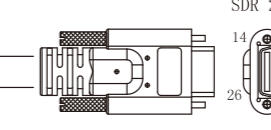
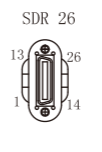
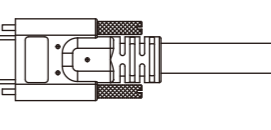
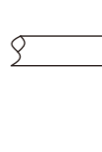
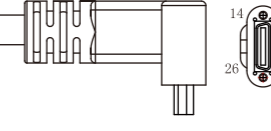
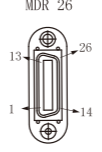
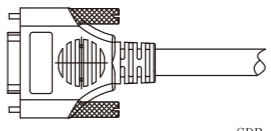
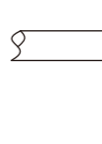
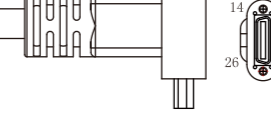
The utility model adopts a special polymer with high resistance to bending torsion and high resistance to sliding.

Support industrial high-speed camera image transmission.

Applicable brands: Dalsa、Sony、JAI、AVT、PointGrey、OMRON、Vieworks and so on

Standard length: 1/3/5/8/10 meters (Fixed lengths)



	长度(m)	订货号
 	3	LKK-CL-S-MDR-MDR-03 LKK-CL-S-MDR-MDR-PoCL-03
	5	LKK-CL-S-MDR-MDR-05 LKK-CL-S-MDR-MDR-PoCL-05
 	10	LKK-CL-S-MDR-MDR-10 LKK-CL-S-MDR-MDR-PoCL-10
 	3	LKK-CL-S-MDR-SDR-03 LKK-CL-S-MDR-SDR-PoCL-03
	5	LKK-CL-S-MDR-SDR-05 LKK-CL-S-MDR-SDR-PoCL-05
 	10	LKK-CL-S-MDR-SDR-10 LKK-CL-S-MDR-SDR-PoCL-10
 	3	LKK-CL-S-SDR-SDR-03 LKK-CL-S-SDR-SDR-PoCL-03
	5	LKK-CL-S-SDR-SDR-05 LKK-CL-S-SDR-SDR-PoCL-05
 	10	LKK-CL-S-SDR-SDR-10 LKK-CL-S-SDR-SDR-PoCL-10
 	3	LKK-CL-S-MDR-MDR-D-03 LKK-CL-S-MDR-MDR-PoCL-D-03
	5	LKK-CL-S-MDR-MDR-D-05 LKK-CL-S-MDR-MDR-PoCL-D-05
 	10	LKK-CL-S-MDR-MDR-D-10 LKK-CL-S-MDR-MDR-PoCL-D-10
 	3	LKK-CL-S-MDR-SDR-D-03 LKK-CL-S-MDR-SDR-PoCL-D-03
	5	LKK-CL-S-MDR-SDR-D-05 LKK-CL-S-MDR-SDR-PoCL-D-05
 	10	LKK-CL-S-MDR-SDR-D-10 LKK-CL-S-MDR-SDR-PoCL-D-10

依据Camera Link连接规格的标准电缆。

符合UL标准，阻燃性可达VW-1级。

Standard cable according to Camera Link connection specifications.

Composite UL standard, fire-resistant to VW-1.

*长度支持定制

拖链千兆网线 High Flex GigE Cable

产品名称：拖链千兆网线

产品种类：直线型、直角型

线材规格：26AWG OD:6.6mm

耐折次数：1000万次

产品特性：标准RJ45接口，支持Gigabit Ethernet，实现1Gbps高速数据传输。耐折、耐弯、耐拖拽，耐油、耐寒、耐阻燃，适合坦克链应用场景。

适用品牌：Balser、Dalsa、海康、大恒、Sony、JAI、AVT、PointGrey、IDS、Vieworks、The Imaging Source等

标准长度：1/3/5/8/10米（可定制各种长度）

Product Name: High Flex GigE Cable

Product type: Linear, right angle type

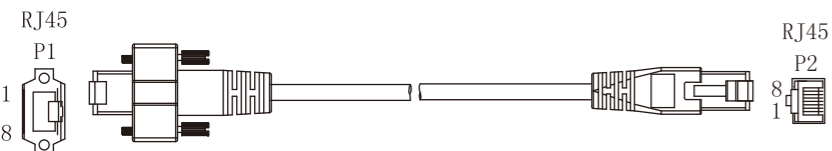
Wire specification: 26AWG OD:6.6mm

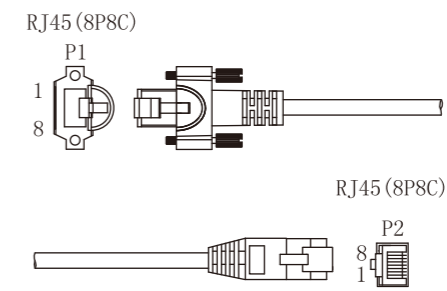
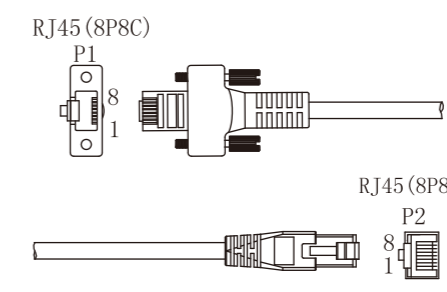
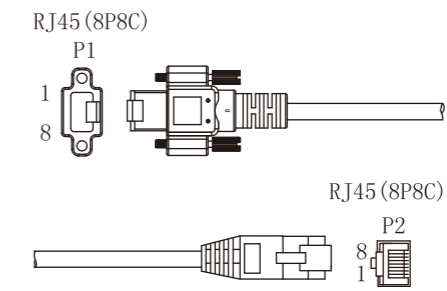
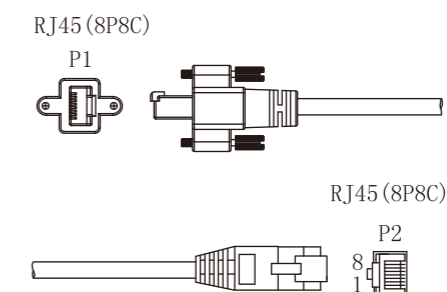
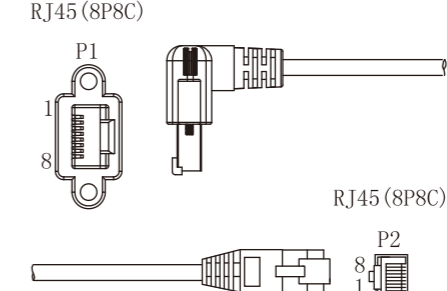
Folding times: 10 million times

Product features: Standard RJ45 interface, support Gigabit Ethernet, 1 Gbps high-speed data transfer, Bending resistance and drag resistance, oil resistant, cold resistant and flame retardant, suitable for tank chain application scene.

Applicable brands: Balser, Dalsa, HIKVISION, IMAVISION, Sony, JAI, AVT, PointGrey, IDS, Vieworks, The Imaging Source and so on

Standard length: 1/3/5/8/10 meters (Fixed lengths)

	长度(m)	订货号
	3	LKK-GE-S-RJ45-RJ45-4-HR-03
	5	LKK-GE-S-RJ45-RJ45-4-HR-05
	10	LKK-GE-S-RJ45-RJ45-4-HR-10

	长度(m)	订货号
	3	LKK-GE-S-RJ45-RJ45-1-03 LKK-GE-S-RJ45-RJ45-1-H-03
	5	LKK-GE-S-RJ45-RJ45-1-05 LKK-GE-S-RJ45-RJ45-1-H-05
	10	LKK-GE-S-RJ45-RJ45-1-10 LKK-GE-S-RJ45-RJ45-1-H-10
	3	LKK-GE-S-RJ45-RJ45-2-03 LKK-GE-S-RJ45-RJ45-2-H-03
	5	LKK-GE-S-RJ45-RJ45-05 LKK-GE-S-RJ45-RJ45-2-H-05
	10	LKK-GE-S-RJ45-RJ45-10 LKK-GE-S-RJ45-RJ45-2-H-10
	3	LKK-GE-S-RJ45-RJ45-3-03 LKK-GE-S-RJ45-RJ45-3-H-03
	5	LKK-GE-S-RJ45-RJ45-3-05 LKK-GE-S-RJ45-RJ45-3-H-05
	10	LKK-GE-S-RJ45-RJ45-3-10 LKK-GE-S-RJ45-RJ45-3-H-10
	3	LKK-GE-UDS-RJ45-RJ45-03 LKK-GE-UDS-RJ45-RJ45-H-03
	5	LKK-GE-UDS-RJ45-RJ45-05 LKK-GE-UDS-RJ45-RJ45-H-05
	10	LKK-GE-UDS-RJ45-RJ45-10 LKK-GE-UDS-RJ45-RJ45-H-10
	3	LKK-GE-S-RJ45-U-RJ45-03 LKK-GE-S-RJ45-U-RJ45-H-03
	5	LKK-GE-S-RJ45-U-RJ45-05 LKK-GE-S-RJ45-U-RJ45-H-05
	10	LKK-GE-S-RJ45-U-RJ45-10 LKK-GE-S-RJ45-U-RJ45-H-10

*长度支持定制

USB3.0A/MicroB 线缆 USB3.0 A/MicroB Cable

产品名称：USB3.0A/MicroB 线缆

产品种类：直线型、直角型

线材规格：28AWG OD:6.5mm

耐折次数：50万次

产品特性：标准USB3.0接口，高速传输数据，支持热插拔，向下兼容USB2.0。

耐折弯，耐拖拽，耐扭转，满足设备拖链应用。

适用品牌：Balser、Dalsa、海康、Sony、AVT、PointGrey、IDS、Ximea、OMRON等

标准长度：1/3/5/7米（可定制各种长度）

Product Name: USB3.0 A/MicroB Cable

Product type: Linear, right angle type

Wire specification: 28AWG OD:6.5mm






Folding times: 5 hundred thousand times

Product features: Standard USB 3.0 interface, high-speed data transfer, support hot plug, down compatible USB 2.0. Bend-resistant, drag-resistant, torsion-resistant, meet the equipment tow-chain environment application.

Applicable brands: Balser、Dalsa、IMAVISION、Sony、AVT、PointGrey、IDS、Ximea、OMRON and so on

Standard length: 1/3/5/7 meters (Fixed lengths)



	长度(m)	订货号
	3	LKK-U3-AM-Micro B-S-H-03
	5	LKK-U3-AM-Micro B-S-H-05
	7	LKK-U3-AM-Micro B-S-H-07
	3	LKK-U3-AM-Micro B-S-03
	5	LKK-U3-AM-Micro B-S-05
	3	LKK-U3-AM-Micro B-S-U-03
	5	LKK-U3-AM-Micro B-S-U-05
	3	LKK-U3-AM-U-Micro B-S-03
	5	LKK-U3-AM-U-Micro B-S-05
	3	LKK-USB3.1-03
	5	LKK-USB3.1-05

*长度支持定制



USB2.0A/Mini USB 线缆

USB2.0A/Mini USB Cable

产品名称：USB2.0A/Mini USB 线缆

产品种类：直线型、直角型

线材规格：高柔 24/28AWG OD:5.3mm；拖链 24/28AWG OD:5.3mm

产品特性：纯铜导体，铝箔编织双层屏蔽，高速传输信号无衰减

适用品牌：The Imaging Source、PixelINK、STC、ARTRAY、OMRON等

标准长度：1/3/5米（可定制各种长度）

Product Name: USB2.0A/Mini USB Cable

Product type: Linear, right angle type


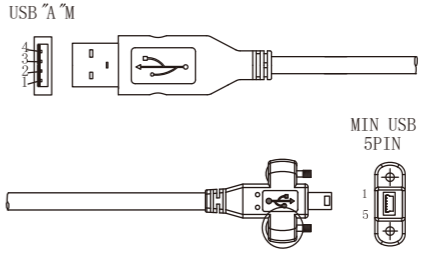

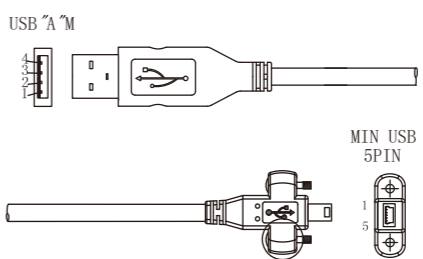

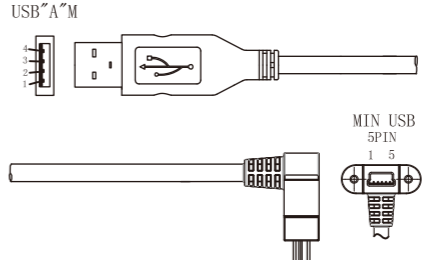

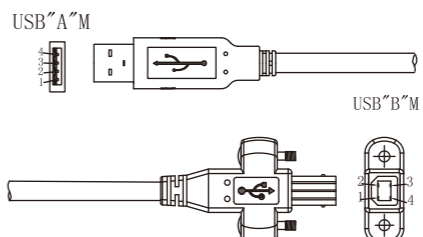
Specification: High wire soft 24/28AWG OD:5.3mm；24/28AWG chain OD:5.3mm

Product features: Pure copper conductor, aluminum foil weave double-layer shielding, high speed transmission signal without attenuation

Applicable brands: The Imaging Source, PixelINK, STC, ARTRAY, OMRON and so on

Standard length: 1/3/5 meters (Fixed lengths)



		长度(m)	订货号
		3	LKK-U2-AM-Mini USB-S-03
		5	LKK-U2-AM-Mini USB-S-05
		3	LKK-U2-AM-Mini USB-S-H-03
		5	LKK-U2-AM-Mini USB-S-H-05
		3	LKK-U2-AM-Mini USB-S-U-03
		5	LKK-U2-AM-Mini USB-S-U-05
		3	LKK-U2-AM-BM-S-03
		5	LKK-U2-AM-BM-S-05

*长度支持定制

I/O触发线 I / O Cable

产品名称：I/O触发线

产品种类：DH40-27S DALSA Ximea采集卡触发线

8P/OPEN、10P/OPEN、12P/OPEN直线型、直角型

线材规格：8芯线 26AWG OD:4.8mm

27芯线 26AWG OD:7.5mm

产品特性：日本原装广濑（Hirose）或国产优质品牌连接器。

多股纯铜导体，信号高速稳定传输。铝箔编织屏蔽，高效抗干扰。

适用品牌：Balsler、Panasonic、Sony、Dalsa、Baumer等

标准长度：1/3/5/8/10米（可定制各种长度）

Product Name: I/O Cable

Product types: DH40-27S DALSA Xtium collect trigger wires,8P/OPEN, 12P/OPEN linear, right angle type

Wire specification: 8 core line 26AWG OD:4.8mm, 27 core line 26AWG OD:7.5mm

Product characteristics: Japanese original Guang Lai (Hirose) or domestic high quality brand connectors.

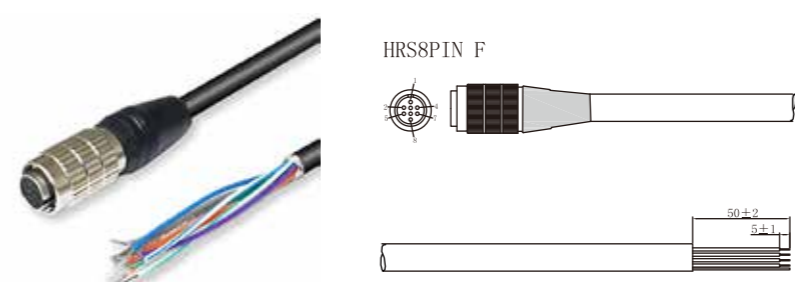
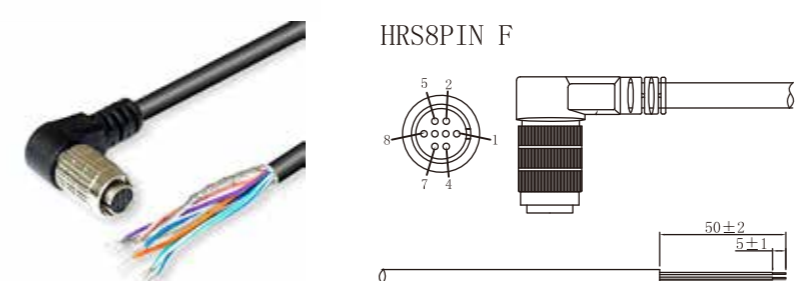
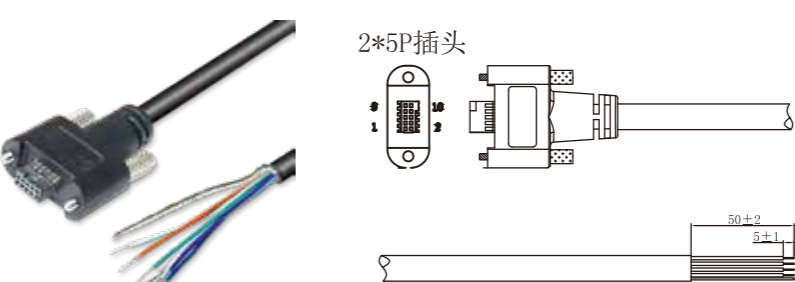
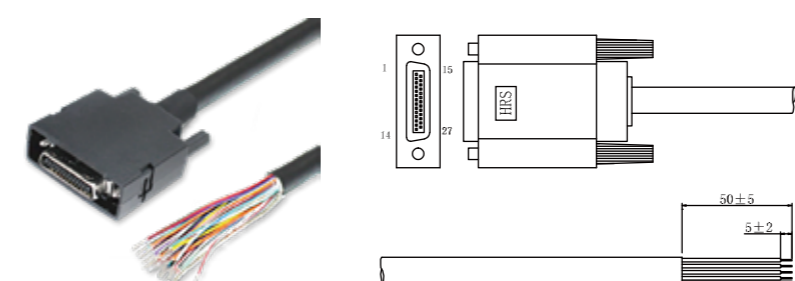
Multi-strand pure copper conductor, high speed and stable transmission of signal.

Aluminum foil braided shielding, high efficiency anti-interference.

Applicable brands: Balsler, Panasonic, Sony, Dalsa, Baumer and so on

Standard length: 1/3/5/8/10 meters (Fixed lengths)



		长度(m)	订货号
	HRS8PIN F	3	LKK-IO-8PF-03
		5	LKK-IO-8PF-05
		10	LKK-IO-8PF-10
	HRS8PIN F	3	LKK-IO-8PF-U-03
		5	LKK-IO-8PF-U-05
		10	LKK-IO-8PF-U-10
*弯角方向支持360°定制			
	2*5P插头	3	LKK-IO-10P-Nano-03
		5	LKK-IO-10P-Nano-05
		10	LKK-IO-10P-Nano-10
		3	LKK-IO-DH40 27P-03
		5	LKK-IO-DH40 27P-05
		10	LKK-IO-DH40 27P-10

*长度支持定制



I/O触发线 I / O Cable

产品名称：I/O触发线

产品种类：6P/OPEN、12P/OPEN直线型、直角型

线材规格：6芯线 26AWG OD:4.3mm

8芯线 26AWG OD:4.8mm

12芯线 26AWG OD:6.5mm

产品特性：高柔拖链，多股纯铜导体，信号高速传输无衰减

适用品牌：Balsler、Dalsa、海康、大恒、Sony、JAI、AVT、PointGrey、IDS、Vieworks、The Imaging Source等

标准线长：1/3/5/8/10米（可定制各种长度）

Product Name: I/O Cable

Product types: Linear, right angle type

Wire specification: 6 core line 26AWG OD:4.3mm

8 core line 26AWG OD:4.8mm






12 core line 26AWG OD:6.5mm

Product characteristics: High flexible towline, multi strand copper conductor,
high speed signal transmission attenuation

Applicable brands: Balsler、Dalsa、HIKVISION、IMAVISION、Sony、JAI、AVT、PointGrey、IDS、Vieworks、
The Imaging Source and so on

Standard line length: 1/3/5/8/10 meters (Fixed lengths)



		长度(m)	订货号
	HRS6PIN F	3	LKK-IO-6PF-03
		5	LKK-IO-6PF-05
		10	LKK-IO-6PF-10
	HRS6PIN F	3	LKK-POWER-6PF-03
		5	LKK-POWER-6PF-05
		10	LKK-POWER-6PF-10
	HRS6PIN F	3	LKK-IO-6PF-D-03
		5	LKK-IO-6PF-D-05
		10	LKK-IO-6PF-D-10
	HRS8PIN M	3	LKK-IO-8PM-03
		5	LKK-IO-8PM-05
		10	LKK-IO-8PM-10
	HRS12PIN F	3	LKK-IO-12PF-03
		5	LKK-IO-12PF-05
		10	LKK-IO-12PF-10

*长度支持定制

I/O触发线 I/O Cable

产品名称：I/O触发线

产品种类：直线型、直角型

线材规格：26AWG OD:6.2mm

产品特性：柔软外被、纯铜导体、多层屏蔽、高速传输无衰减

适用品牌：Cognex，兼容In-Sight 2000系列视觉传感器和In-Sight 7000系列视觉系统

标准长度：1/3/5/8/10米（可定制各种长度）

Product Name: I/O Cable

Product type: Linear, right angle type

Wire specification: 26AWG OD:6.2,

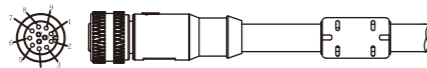
Product characteristics: The soft copper conductor by multilayer shielding, high speed signal transmission attenuation

Applicable brands: Cognex, Compatible with In-Sight 2000 Series vision sensors and In-Sight 7000 Series vision systems

Standard line length: 1/3/5/8/10 meters (Fixed lengths)


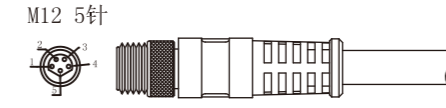
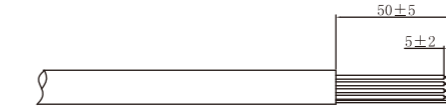

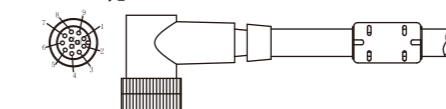
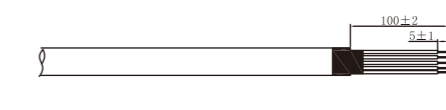

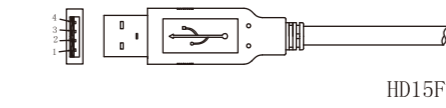
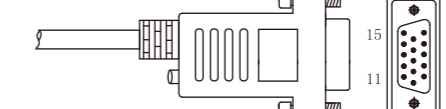

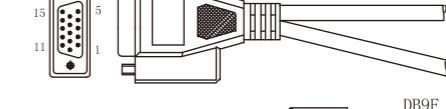
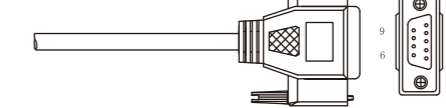
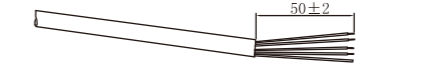


M12 12孔



长度(m)	订货号
3	LKK-PWRIO-03
5	LKK-PWRIO-05
10	LKK-PWRIO-10



	长度(m)	订货号
 <p>M12 5针</p>  	3	LKK-M8-IO-03
	5	LKK-M8-IO-05
	10	LKK-M8-IO-10
 <p>M12 12孔</p>  	3	LKK-PWRIO-D-03
	5	LKK-PWRIO-D-05
	10	LKK-PWRIO-D-10
*弯角方向支持360°定制		
 <p>USB "A"~"M"</p>  	3	LKK-DM100-USB-03
	5	LKK-DM100-USB-05
	10	LKK-DM100-USB-10
 <p>HD15F</p>   	3	LKK-DM-RS232IO-03
	5	LKK-DM-RS232IO-05
	10	LKK-DM-RS232IO-10

*长度支持定制



工业以太网线 Industrial Ethernet Cable

产品名称：工业以太网线

产品种类：8孔/RJ45直线型、直角型；8针/RJ45直线型；X型8针/RJ45直线型

线材规格：26AWG OD:6.2mm

产品特性：柔软外被 纯铜导体 多层屏蔽

适用品牌：Cognex，兼容In-Sight 2000系列视觉传感器和In-Sight 7000系列视觉系统，迈思肯等

标准长度：1/3/5/8/10米（可定制各种长度）

Product Name: Industrial Ethernet Cable

Product type: 8P/RJ45 linear, right angle type, 8S/RJ45 straightlner type, X type 8S/RJ45 straightlner type

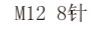





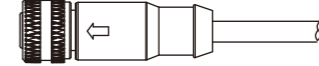
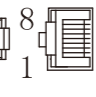



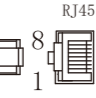



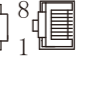
Wire specification: 26AWG OD:6.2,

Product characteristics: The soft copper conductor by multilayer shielding

Applicable brands: Cognex, Compatible with In-Sight 2000 Series vision sensors and In-Sight 7000 Series vision systems, Microscan and so on.

Standard line length: 1/3/5/8/10 meters (Fixed lengths)



		长度(m)	订货号
 M12 8针 	  RJ45	3	LKK-84901-2001-03
		5	LKK-84901-2001-05
		10	LKK-84901-2001-10
 M12 8孔 	  RJ45	3	LKK-84901-0102-03
		5	LKK-84901-0102-05
		10	LKK-84901-0102-10
 M12 8孔 	  RJ45	3	LKK-M12 8F-RA*-RJ45-03
		5	LKK-M12 8F-RA*-RJ45-05
		10	LKK-M12 8F-RA*-RJ45-10
			*RA=90°弯角，方向支持360°定制
 M12 8针 	  RJ45	3	LKK-84901-1002-03
		5	LKK-84901-1002-05
		10	LKK-84901-1002-10

*长度支持定制



工业以太网线 Industrial Ethernet Cable

产品名称：工业以太网线

产品种类：M12 4针/RJ45、4针/4针、RJ45/4针、DB45/17孔

线材规格：26AWG OD:6.2mm；22AWG OD:6.4mm

产品特性：高柔拖链工业以太网线，耐磨耐折弯。

多股纯铜导体，多层屏蔽，信号稳定高速传输。适用于各种工业自动化拖链环境、机器人手臂等。

标准长度：1/3/5/8/10米（可定制各种长度）

Product name: Industrial Ethernet Cable

Product category: M12 4S/RJ45、4S/4S、RJ45/4S、DB45/17P

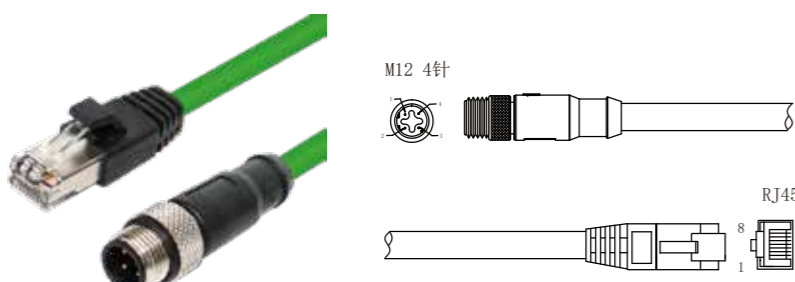
Wire specification: 26 AWG OD: 6.2 mm；22 AWG OD:6.4mm

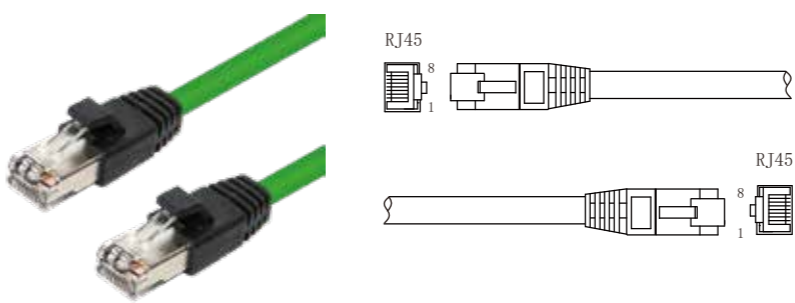
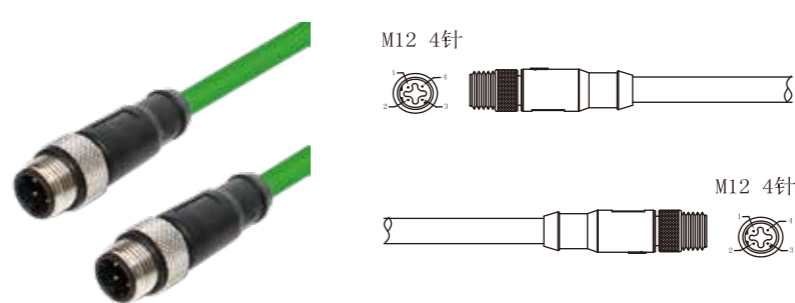
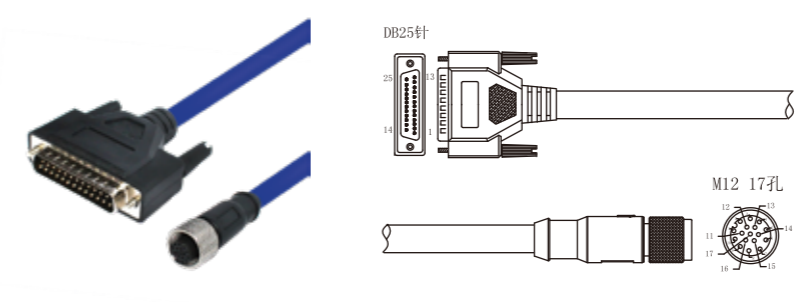
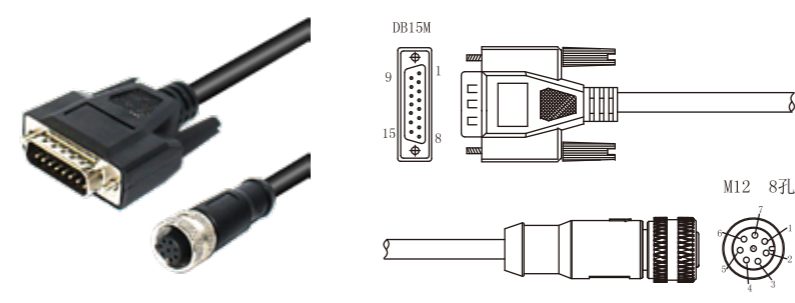
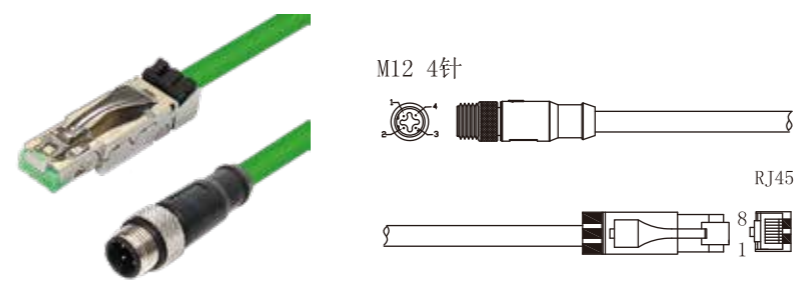
Product features: High flexibility drag chain industry to Ethernet wire, wear resistance to bend.

Multiple pure copper conductor, multilayer shielding, high speed signal stability transmission.

Suitable for all kinds of industrial automatic tow-chain environment, robotic arms and so on.

Standard length: 1/3/5/8/10 meters (Fixed lengths)

	长度(m)	订货号
	3	LKK-ETH-M12 4M-RJ45-03
	5	LKK-ETH-M12 4M-RJ45-05
	10	LKK-ETH-M12 4M-RJ45-10

	长度(m)	订货号
	3	LKK-ETH-RJ45-RJ45-03
	5	LKK-ETH-RJ45-RJ45-05
	10	LKK-ETH-RJ45-RJ45-10
	3	LKK-ETH-M12 4M-4M-03
	5	LKK-ETH-M12 4M-4M-05
	10	LKK-ETH-M12 4M-4M-10
	3	LKK-CAB-DS01-M12-CBX-03
	5	LKK-CAB-DS01-M12-CBX-05
	10	LKK-CAB-DS01-M12-CBX-10
	3	LKK-84901-0902-03
	5	LKK-84901-0902-05
	10	LKK-84901-0902-03
	3	LKK-ETH-M12 4M-RJ45-1-03
	5	LKK-ETH-M12 4M-RJ45-1-05
	10	LKK-ETH-M12 4M-RJ45-1-10

*长度支持定制

CoaXPress 线缆 CoaXPress Cable

产品名称：CoaXPress

产品种类：DIN/DIN DIN/BNC BNC/BNC

线材规格：18/23AWG

产品特性：高速数据显示，可扩展性强，传输距离更远，支持热插拔。

一根同轴线上实现视频传输、通信、控制和供电。

连接器可根据需要任意组合。

适用品牌：Optronis、JAI、Vieworks等

标准长度：1/3/5/8/10米（可定制各种长度）

Product Name: CoaXPress

Product category: DIN/DIN DIN/BNC BNC/BNC

Wire specification: 18/23AWG

Product features: High speed data show strong scalability, longer transmission distance, support hot-swapping.


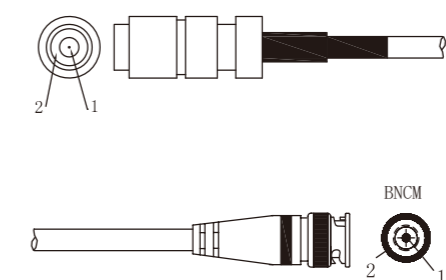

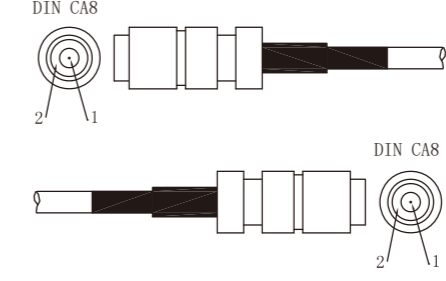

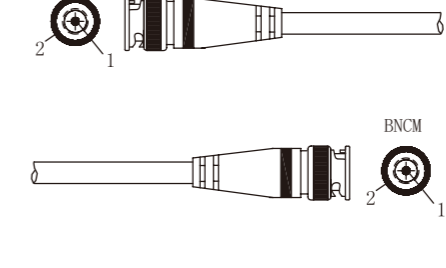
A coaxial line to achieve video transmission, communication, control and power supply.

Connectors can be any group as needed.

Applicable brands: Optronis, JAI, Vieworks and so on

Standard line length: 1/3/5/8/10 meters (Fixed lengths)



	长度(m)	订货号
 DIN CA8 	3	LKK-CXP-DIN-BNC-03
	5	LKK-CXP-DIN-BNC-05
	10	LKK-CXP-DIN-BNC-10
 DIN CA8 	3	LKK-CXP-DIN-DIN-03
	5	LKK-CXP-DIN-DIN-05
	10	LKK-CXP-DIN-DIN-10
 BNCM 	3	LKK-CXP-BNC-BNC-03
	5	LKK-CXP-BNC-BNC-03
	10	LKK-CXP-BNC-BNC-03

*长度支持定制



1394 线缆 1394 Cable

产品名称：1394a线缆 1394b线缆

产品种类：1394a/1394a、1394a/1394b、1394b/1394b

线材规格：1394a:30/26AWG OD:6.0mm；1394b:25/22AWG OD:7.0mm

产品特性：符合国际IEEE1394a、IEEE1394b标准接口协议。柔软PVC外被，纯铜导体，镀金插针，抗氧化、耐腐蚀，保证信号高速传输。铝箔加编织多层屏蔽，确保数据无衰减。

适用品牌：Balser、Sony、Point Grey、AVT、Baumer、The Imaging Source

标准长度：1/3/5/8/10米（可定制各种长度）



Product Name: 1394 cable

Product types: 1394a/1394a、1394a/1394b、1394b/1394b

Wire specification: 1394a:30/26AWG OD:6.0mm 1394b:25/22AWG OD:7.0mm

Product characteristics: Compliance with international IEEE 1394a, 1394b standard interface protocols, Soft PVC duvet, pure copper conductor, gold plated pins, anti-oxidation, corrosion resistance, ensure high speed signal transmission. Aluminum foil with braided multilayer shielding to ensure no attenuation.

Applicable brands: Balser, Sony, Point Grey, AVT, Baumer, The Imaging Source

Standard line length: 1/3/5/8/10 meters (Fixed lengths)

		长度(m)	订货号
	1394 6PIN	3	LKK-1394-A-A-03
		5	LKK-1394-A-A-05
		10	LKK-1394-A-A-10
	1394 6PIN	3	LKK-1394-A-B-03
		5	LKK-1394-A-B-05
		10	LKK-1394-A-B-10
	1394 9PIN	3	LKK-1394-B-B-03
		5	LKK-1394-B-B-05
		10	LKK-1394-B-B-10

*长度支持定制

LMI 线缆 LMI Cable

产品名称：LMI IO/PE 线缆

产品种类：19针/OPEN，14孔/IO+PE

线材规格：24AWG OD:9.0mm，24AWG OD:8.8mm

产品特性：国际知名品牌线缆，多股纯铜导体，编织屏蔽，高柔PVC外被，可用于机器人手臂与动态场合。配备优质连接器，镀金插针，抗氧化、耐腐蚀，可适用于多种场合。

适用品牌：LMI Gocator 三维激光轮廓传感器、Gocator扫描仪等

标准长度：1/3/5/8/10米（可定制各种长度）



Product Name: LMI IO/PE cable

Product types: 19S/OPEN，14P/IO+PE

Wire specification: 24AWG OD:9.0mm，24AWG OD:8.8mm

Product characteristics: International well-known brand cables, multi-stranded copper conductors, braided shield, high flexible PVC quilt, can be used in robot arms and dynamic occasions. Equipped with high quality connectors, gold plated pins, anti-oxidation and corrosion resistance, it can be applied to many occasions.

Applicable brands: LMI Gocator 3D laser profile sensor, Gocator scanner, etc.

Standard line length: 1/3/5/8/10 meters (Fixed lengths)

		长度(m)	订货号
	19针焊接面	3	LKK-LMI-19针-IO-03
		5	LKK-LMI-19针-IO-05
		10	LKK-LMI-19针-IO-10
	14孔焊接面	3	LKK-LMI-14孔-P&E-03
		5	LKK-LMI-14孔-P&E-05
		10	LKK-LMI-14孔-P&E-10
	14孔焊接面	3	LKK-LMI-14孔-P&E-03
		5	LKK-LMI-14孔-P&E-05
		10	LKK-LMI-14孔-P&E-10

*长度支持定制



PROFIBUS 总线

PROFIBUS Cable

产品名称：PROFIBUS总线

产品特性：最大信号传输

双屏蔽电缆设计，减少噪音和干扰

最大的安装多功能性

额定值适用于300V应用

适用品牌：西门子、欧姆龙等

Product Name: PROFIBUS Cable

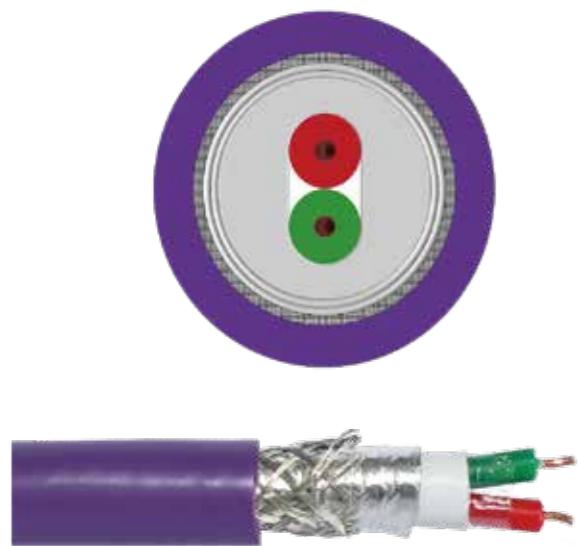
Product characteristics: Maximum signal transmission

Double shielded cable design, Reduced noise and interference

Maximum installation versatility

Rating for use in 300V applications

Applicable brands: SIEMENS、OMRON and so on



绝缘电阻	10000MΩ/km 以上
导体电阻 (20°C)	<22Ω/km
绝缘耐压	500V/AC for 1 minute
特性阻抗	100Ω±20% @31.25Hz
衰减量 (20°C)	<3dB/km @39kHz
工作温度	-40~+75°C
芯线规格	0.32mm ² (22AWG)x1P 红 绿
屏蔽结构	编织+铝箔双屏蔽
线缆外径	φ8.0mm
线缆颜色	紫色 PVC
阻燃性能	UL VW-1



PROFINET 总线

PROFINET Cable

产品名称：PROFINET总线

产品特性：小直径，安装更快更简单，

可以使用其他功率受限电缆在现有电缆

桥架中运行,不需要单独的路由选择，

可以承受恶劣的环境。

适用品牌：西门子、欧姆龙等

Product Name: PROFIBUS Cable

Product characteristics: Smaller diameter for faster, easier installation

Runs in existing cable trays with other power-limited cables, No separate routing required

Withstands harsh environments

Applicable brands: SIEMENS、OMRON and so on



绝缘电阻	500MΩ/km 以上
导体电阻 (20°C)	<9.38Ω/100m
绝缘耐压	500V/AC for 1 minute
衰减量 (20°C)	<2.1dB/100m @1MHz
工作温度	-40~+75°C
芯线规格	0.32mm ² (22AWG)*4L 橙 白 黄 蓝
屏蔽结构	编织+铝箔双屏蔽
线缆外径	φ6.4mm
线缆颜色	绿色 PVC
阻燃性能	UL VW-1

工业自动化连接器配件

Industrial automation connector accessories



M12 4孔 板端 A编码



M12 4针 D编码



M12 4针 A编码



M8 6针



M12 12针



M12 12孔



M12 17针



M12 17孔



M12 8针 A编码



M12 8孔 板端 A编码



M12 8孔 A编码 焊接式



工业以太网连接器



M12 8针 X编码



M12 8孔 A编码 装配式



M12 8孔 A编码 90度装配式



工业以太网连接器

机器视觉连接器配件

Machine vision connector accessories



广濑6Pin 孔



广濑8Pin 孔



广濑8Pin 针



广濑12Pin 孔



mini Cameralink 14P



Cameralink 大头 MDR



Cameralink 小头 SDR



Micro USB 3.0



DH40-27S端子



2*5PIN Housing



BNC M装配式



DIN CA8



1394A



1394B



HDMI 19Pin 接口



HD15针

拖链电缆应用注意事项

弯曲半径：电缆拖链的弯曲半径需要设置在电缆外径的7.5倍以上，尽可能更大。

电缆配置：布线时，电缆要平铺，电缆之间不能交叉或重叠，确保有足够的空间拖链，尽可能多安隔板，避免电缆之间相互干扰。

电缆长度：选择合适的电缆长度，太短处于紧绷状态，太长会引起电缆间相互干扰，都会造成电缆和拖链间的摩擦而导致寿命缩短。



Matters needing attention in application of high flex cable

Bending radius: The bending radius of the cable drag chain needs to be set at more than 7.5 times the outside diameter of the cable, as much as possible.

Cable configuration: when wiring, the cable should be laid flat, can not cross or overlap between the cables, ensure that there is enough space to drag chain, as many as possible, avoid interference between cables.

Cable length: choose the appropriate cable length, too short in a tight state, too long will cause intercable interference, will cause cable and drag chain friction and lead to shorter life.

线缆应用实例

Cable Application Example

USB3.0线缆、HRS8P触发线
USB3.0 Cable、HRS8P I/O Cable



康耐视M12 X型8针/RJ45、M12 12P/OPEN
Congex M12Xcode8P/RJ45、M12 12P/OPEN



RJ45千兆网线、HRS6P触发线
RJ45 Gigabit Ethernet Cable
HRS6P I/O Cable

电缆检测设备

Cable Testing Equipment



FLUKE 测试仪



XRF 有害物质检测仪



扭转测试机



拖链测试机



老化机



恒温恒湿测试机

检测设备及生产车间

Testing Equipment And Production Workshop



加重弯折测试机



拖链测试机



加热变型机



拉力测试仪



扭编织机



生产车间



生产车间



生产车间