

SMART LIGHT

Superior, 4 switch-over-segment illumination. Fully programmable via USB interface. For demanding, shiny and/or curved objects and surfaces.



- SWITCH-OVER 4 SEGMENT ILLUMINATION
- PROGRAMABLE VIA USB INTERFACE
- MIGHT ACT AS AN ONE SEGMENT HOMOGENOUS LOW-ANGLE RING LIGHT
- ROBUST CONSTRUCTION

CONFIGURATION

Ordering Code

| | | |
|-------------|------------------|------------|
| SL | 120 | R |
| Smart light | Ø of Active Area | wavelength |

SL-120

| model series | active illumination area | wavelength |
|--------------|--------------------------|------------|
| SL-120W | 120 mm | CTR 5000 k |
| SL-120R | 120 mm | 625 nm |
| SL-120G | 120 mm | 525 nm |
| SL-120B | 120 mm | 470 nm |

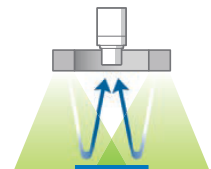
SL-70

| model series | active illumination area | wavelength |
|--------------|--------------------------|------------|
| SL-70W | 70 mm | CTR 5000 k |
| SL-70R | 70 mm | 625 nm |
| SL-70G | 70 mm | 525 nm |
| SL-70B | 70 mm | 470 nm |

SL-30

| model series | active illumination area | wavelength |
|--------------|--------------------------|------------|
| SL-30W | 30 mm | CTR 5000 k |
| SL-30R | 30 mm | 625 nm |
| SL-30G | 30 mm | 525 nm |
| SL-30B | 30 mm | 470 nm |

WAYS OF USE



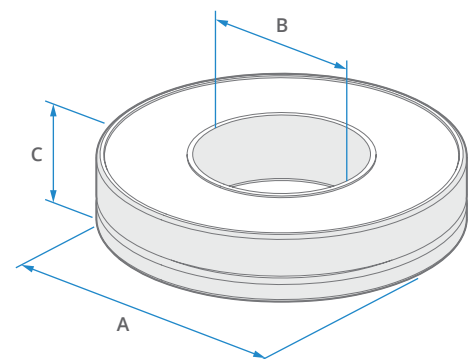
BASIC ELECTRIC PARAMETERS

| model | | SL-120W R G B | SL-70W R G B | SL-30W R G B |
|--|------------|------------------------------------|------------------------------------|------------------------------------|
| Voltage Span | U_n | 7 - 28 V | 7 - 28 V | 7 - 28 V |
| Nominal Voltage | U_{jm} | 24 V DC | 24 V DC | 24 V DC |
| Nominal Current | I_{jm} | 625 mA | 350 mA | 200 mA |
| Single segment current ¹ | I_{max} | 625 mA | 390 mA | 220 mA |
| Input | P | 15 W | 8,4 W | 4,8 W |
| Trigger Voltage ² | U_{trig} | $\geq 10 - 24 V$ | $\geq 10 - 24 V$ | $\geq 10 - 24 V$ |
| Trigger Current ² | I_{trig} | 2,3 mA | 2,3 mA | 2,3 mA |
| Analog light intensity regulation ² | U_{EN} | $\geq 2,7 .. \leq 10 V$ | $\geq 2,7 .. \leq 10 V$ | $\geq 2,7 .. \leq 10 V$ |
| PWM light intensity regulation ² | U_{EN} | $> 10 V .. \leq 24 V$ ³ | $> 10 V .. \leq 24 V$ ³ | $> 10 V .. \leq 24 V$ ³ |
| Segment input voltage S1-S4 ⁴ | U_{seg} | 12 - 24 V | 12 - 24 V | 12 - 24 V |
| Segment input current S1-S4 ⁴ | I_{seg} | 4 mA | 4 mA | 4 mA |

1. Single segment current in a strobe mode (only one segment is switched on)
2. EN (Enable) trigger signal values, (M8 3-pin connector – pin number 4)
3. PWM maximal rate is 40 kHz
4. Segment drive values S1 –S4 (M8 4-pin connector)

DIMENSIONS AND WEIGHT

| Model | A outer Ø (mm) | B inner Ø (mm) | C height (mm) | Active lighting area | Weight |
|-----------|----------------|----------------|---------------|----------------------|--------|
| SL-120... | 172 | 120 | 27,5 | Ø mm | 370 g |
| SL-70... | 118 | 70 | 28 | Ø mm | 180 g |
| SL-30... | 72 | 30 | 23,3 | Ø mm | 105 g |



CT-SL1A CONTROLLER



Necessary for a switch-over segment illumination

Items included

Controller
USB Cable
Software and manuals

OVERALL BASIC INFORMATION

| Technical data | |
|----------------------|--------------|
| IP category | IP50 |
| Protection Category | III |
| Ambient temperature | -20 – +40 °C |
| Isolation resistance | 500 V |
| Housing material | Duralumin |

CONNECTOR PIN ASSIGNMENT



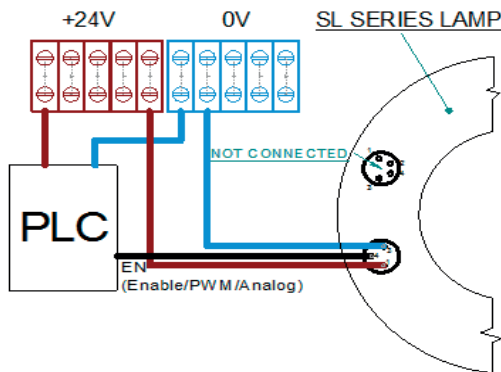
| Connector M8 3-Pin | Wire color | Signal potential |
|--------------------|------------|------------------------------|
| 1 | Brown | + 24 V |
| 2 | White | 0 V |
| 3 | Blue | EN (+24V, PWM, 0-10V analog) |



| Connector M8 4-Pin | Wire color | Signal potential |
|--------------------|------------|----------------------------|
| 1 | Brown | drive signal for segment 1 |
| 2 | White | drive signal for segment 2 |
| 3 | Blue | drive signal for segment 3 |
| 4 | Black | drive signal for segment 4 |

BASIC CONNECTION

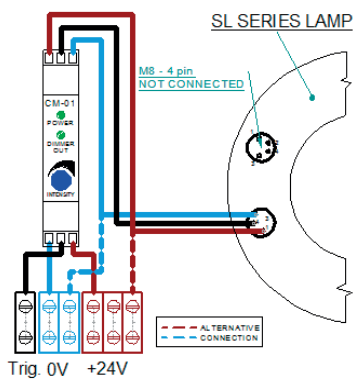
All-segment light. No light intensity regulation. 4-Pin connector stays unconnected.



COUPLING TO A CONTROLLER

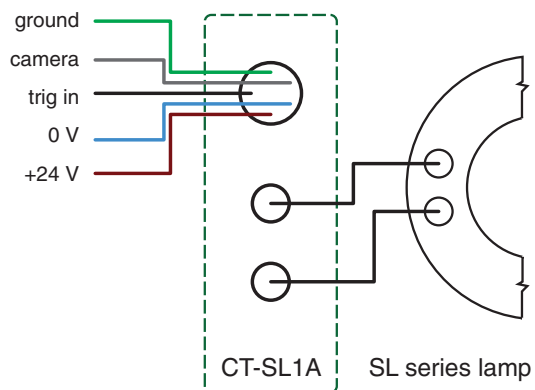
CM-01 WIRING DIAGRAM

All-segment light. Intensity regulation via CM-01. 4-Pin connector stays unconnected.



CT-SL1A WIRING DIAGRAM

Each light segment is driven independently. Both connector are wired.



ACCESSORIES INCLUDED

5m, 3-Pin cable

OPTIONAL ACCESSORIES

CT-SL1A Smart Light controller, CM-01 mini controller



Company Office

Smart View s.r.o.
Nivy 313
765 02 Otrokovice
Czech Republic
+420 601 575 797
+420 602 457 497
info@smartview.cz
www.smartview.cz

International Sales Slovakia

MTS, spol. s r.o.
Krivá 53
027 55 Krivá
Slovakia
+421 43 5819 111
mts@mts.sk
www.mts.sk