

RING LIGHTS

Implementation of ring lights is very simple – the camera lens passes through the center of the light.



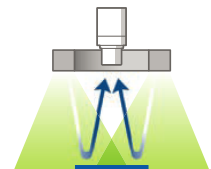
- COMPACT DESIGN
- UNIVERSAL MOUNTING
- ROUGH, METAL HOUSING
- HOMOGENOUS LIGHT FIELD

CONFIGURATION

Ordering Code

RL	100	R	
Ring light	Ø of Active Area	wavelength	
model series		wavelength	LED radiation angle
RL-65W		■ bílá	80°
RL-65IR		■ 850 nm	90°
RL-65HR		■ 660 nm	90°
RL-65R		■ 634 nm	80°
RL-65G		■ 528 nm	80°
RL-65B		■ 470 nm	80°
RL-65UV		■ 405 385 365 nm	120°
RL-100W		■ bílá	120°
RL-100IR		■ 850 nm	50°
RL-100R		■ 634 nm	60°
RL-100G		■ 528 nm	120°
RL-100B		■ 470 nm	120°
RL-120W		■ bílá	80°
RL-120IR		■ 850 nm	90°
RL-120HR		■ 660 nm	90°
RL-120R		■ 634 nm	80°
RL-120G		■ 528 nm	80°
RL-120B		■ 470 nm	80°
RL-120UV		■ 405 385 365 nm	120°
RL-170W		■ bílá	80°
RL-170IR		■ 850 nm	90°
RL-170HR		■ 660 nm	90°
RL-170R		■ 634 nm	80°
RL-170G		■ 528 nm	80°
RL-170B		■ 470 nm	80°
RL-170UV		■ 405 385 365 nm	120°

WAYS OF USE



BASIC ELECTRIC PARAMETERS

model		RL-65W	RL-65IR	RL-65HR	RL-65R	RL-65G	RL-65B	RL-65UV
Voltage Span	U_n	12-28 V	12-28 V	12-28 V	12-28 V	12-28V	12-28V	12-28V
Nominal Voltage	U_{im}	24 V	24 V	24 V	24 V	24 V	24 V	24 V
Nominal Current	I_{im}	200 mA	200 mA	200 mA	200 mA	200 mA	200 mA	210 mA
Max. Current	I_{max}	320 mA	320 mA	350 mA	350 mA	320 mA	320 mA	300 mA
Trigger Voltage	U_{trig}	10-24 V	10-24 V	10-24 V	10-24 V	10-24 V	10-24 V	10-24 V
Trigger Current	I_{trig}	2,3 mA	2,3 mA	2,3 mA	2,3 mA	2,3 mA	2,3 mA	2,3 mA
Input	P	4,8 W	4,8 W	4,8 W	4,8 W	4,8 W	4,8 W	5 W

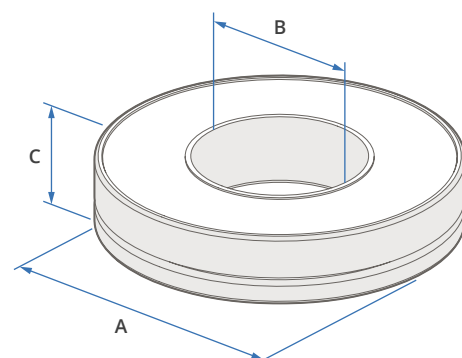
model		RL-100W120	RL-100B120	RL-100G120	RL-100R60	RL-100IR50
Voltage Span	U_n	22-28 V	20-28 V	22-28 V	22-28 V	21-28V
Nominal Voltage	U_{im}	24 V	24 V	24 V	24 V	24 V
Nominal Current	I_{im}	240 mA	240 mA	240 mA	240 mA	270 mA
Max. Current	I_{max}	240 mA	240 mA	240 mA	240 mA	270 mA
Trigger Voltage	U_{trig}	12-28 V	12-28 V	12-28 V	12-28 V	12-28 V
Trigger Current	I_{trig}	3,5 mA	3,5 mA	3,5 mA	4,5 mA	3,5 mA
Input	P	5,8 W	5,8 W	5,8 W	5,8 W	6,5 W

model		RL-120W	RL-120IR	RL-120HR	RL-120R	RL-120G	RL-120B	RL-120UV
Voltage Span	U_n	16-28 V	16-28 V	16-28 V	16-28 V	16-28V	16-28V	16-28V
Nominal Voltage	U_{im}	24 V	24 V	24 V	24 V	24 V	24 V	24 V
Nominal Current	I_{im}	420 mA	420 mA	400 mA	400 mA	400 mA	400 mA	420 mA
Max. Current	I_{max}	520 mA	520 mA	550 mA	550 mA	520 mA	520 mA	500 mA
Trigger Voltage	U_{trig}	10-24 V	10-24 V	10-24 V	10-24 V	10-24 V	10-24 V	10-24 V
Trigger Current	I_{trig}	2,3 mA	2,3 mA	2,3 mA	2,3 mA	2,3 mA	2,3 mA	2,3 mA
Input	P	10 W	10 W	9,6 W	9,6 W	9,6 W	9,6 W	10 W

model		RL-170W	RL-170IR	RL-170HR	RL-170R	RL-170G	RL-170B	RL-170UV
Voltage Span	U_n	16-28 V	16-28 V	16-28 V	16-28 V	16-28V	16-28V	16-28V
Nominal Voltage	U_{im}	24 V	24 V	24 V	24 V	24 V	24 V	24 V
Nominal Current	I_{im}	660 mA	625 mA	700 mA	700 mA	600 mA	600 mA	625 mA
Max. Current	I_{max}	1,2 A	1,3 A	1,5 A	1,5 A	1,2 A	1,2 A	1,2 A
Trigger Voltage	U_{trig}	10-24 V	10-24 V	10-24 V	10-24 V	10-24 V	10-24 V	10-24 V
Trigger Current	I_{trig}	2,3 mA	2,3 mA	2,3 mA	2,3 mA	2,3 mA	2,3 mA	2,3 mA
Input	P	15,8 W	15 W	16,8 W	16,8 W	14,4W	14,4 W	15 W

DIMENSIONS AND WEIGHT

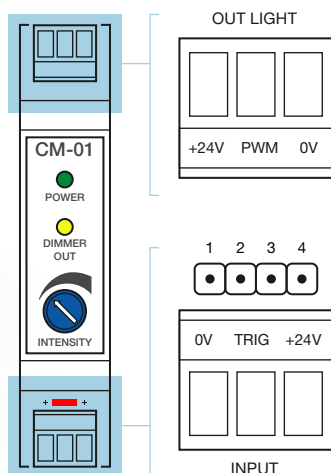
Model	A outer \varnothing (mm)	B inner \varnothing (mm)	C height (mm)
RL-65...	72	30	16
RL-100...	100	48	20
RL-120...	118	60	20
RL-170...	172	104	20



CONTROLLER CM-01

Universal illumination intensity controller

Trigger signal input

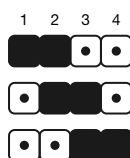


TERMINAL BOX OUTPUT "OUT LIGHT" – LIGHT CONNECTION

- Terminal +24 V** light positive pole
- Terminal PWM** PWM signal
- Terminal 0 V** light negative pole

TERMINAL BOX INPUT "INPUT" – POWER SUPPLY AND CONTROL SIGNAL CONNECTION

- Terminal +24 V** positive pole of 24 V DC Power Supply
- Terminal 0 V** negative pole of 24 V DC Power Supply
- Terminal TRIG** trigger signal from camera, PLC, etc.



CM-01 MODE OPTION

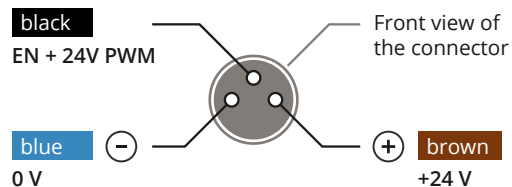
- 1 – 2 Enable – constant light
- 2 – 3 Not used
- 1 – 2 Invert trig – light during log 0 signal

OVERALL BASIC INFORMATION

Technical data

IP category	IP50
Protection Category	III
Ambient temperature	-20 – +40 °C
Isolation resistance	500 V
Housing material	Duralumin

CONNECTOR PIN ASSIGNMENT



ACCESSORIES INCLUDED

Transparent diffuser, diffuser with the opacity of 68 %, 5 m straight cable

OPTIONAL ACCESSORIES

Diffusers with the opacity of 38 % and 50 %, polarized diffuser, 5 m angular cable



Company Office

Smart View s.r.o.
Nivy 313
765 02 Otrokovice
Czech Republic
+420 601 575 797
+420 602 457 497
info@smartview.cz
www.smartview.cz

International Sales Slovakia

MTS, spol. s r.o.
Krivá 53
027 55 Krivá
Slovakia
+421 43 5819 111
mts@mts.sk
www.mts.sk