

BACK-LIGHTS

Back light diffused illumination to emphasize the shape and contours of the controlled object.



- COMPACT DESIGN
- HOMOGENOUS LIGHT FIELD
- UNIVERSAL MOUNTING
- ROUGH, METAL HOUSING

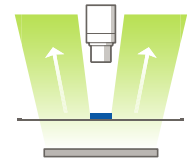
CONFIGURATION

Ordering Code

BL	50	R	4S
Back Light	illuminated area	wavelength	4 - pin S - strobe function

model series	active illumination area	wavelength
BL-50W-4S	50 × 50 mm	white
BL-50R-4S	50 × 50 mm	633 nm
BL-50IR-4S	50 × 50 mm	850 nm
BL-85W-4S	85 × 85 mm	white
BL-85R-4S	85 × 85 mm	633 nm
BL-85IR-4S	85 × 85 mm	850 nm
BL-130W	130 × 130 mm	white
BL-130R	130 × 130 mm	633 nm
BL-180W	180 × 180 mm	white
BL-180R	180 × 180 mm	633 nm
BL-230W	230 × 230 mm	white
BL-230R	230 × 230 mm	633 nm
BL-280W	280 × 280 mm	white
BL-280R	280 × 280 mm	633 nm
BL-340R	340 × 340 mm	633 nm

WAYS OF USE



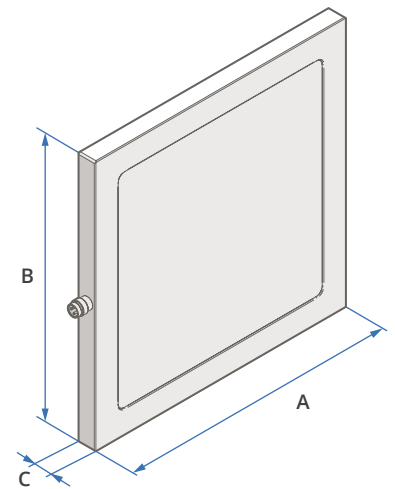
BASIC ELECTRIC PARAMETERS

Model		BL-50W-4S	BL-50R-4S	BL-50IR-4S	BL-85W-4S	BL-85R-4S	BL-85IR-4S	BL-130W	BL-130R
Voltage Span	U_n	18-28 V	20-28 V	21-28 V	18-28 V	20-28 V	21-28 V	18-28 V	20-28 V
Nominal Voltage	U_{jm}	24 V	24 V	24 V	24 V	24 V	24 V	24 V	24 V
Nominal Current	I_{jm}	80 mA	80 mA	125 mA	225 mA	210 mA	230 mA	315 mA	315 mA
Max. Current	I_{max}	85 mA	85 mA	130 mA	230 mA	220 mA	240 mA	320 mA	320 mA
Trigger Voltage	U_{trig}	12-28 V	12-28 V	12-28 V	12-28 V	12-28 V	12-28 V	12-28 V	12-28 V
Trigger Current	I_{trig}	1,4 mA	1,4 mA	1,4 mA	1,4 mA	1,4 mA	1,4 mA	6 mA	6 mA
Input	P	2 W	2 W	3,1 W	5,5 W	5 W	5,5 W	7,6 W	7,6 W

Model		BL-180W	BL-180R	BL-230W	BL-230R	BL-280W	BL-280R	BL-340R
Voltage Span	U_n	18-28 V	20-28 V		19-28V	19-28V	20-28 V	20-28 V
Nominal Voltage	U_{jm}	24 V	24 V	24 V	24 V	24 V	24 V	24 V
Nominal Current	I_{jm}	600 mA	610 mA		0,96 A	1,5 A	1,5 A	2,1 A
Max. Current	I_{max}	610 mA	640 mA		1 A	1,5 A	1,5 A	2,2 A
Trigger Voltage	U_{trig}	12-28 V	12-28 V	12-28 V	12-28 V	12-28 V	12-28 V	12-28 V
Trigger Current	I_{trig}	15 mA	4,2 mA		23 mA	28 mA	33 mA	45 mA
Input	P	14,4 W	14,6 W		23 W	36 W	36 W	50,5 W

DIMENSIONS AND WEIGHT

Model	A length (mm)	B height (mm)	C width (mm)	Active lighting area	Weight
BL-50-4S	68	72	11	50 × 50 mm	85 g
BL-85-4S	110	110	11	85 × 85 mm	180 g
BL-130...	160	160	11	130 × 130 mm	350 g
BL-180...	210	210	11	180 × 180 mm	
BL-230...	260	260	11	230 × 230 mm	780 g
BL-280...	310	310	11	280 × 280 mm	1060 g
BL-340...	380	380	11	340 × 340 mm	

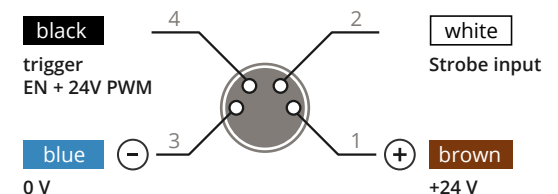


OVERALL BASIC INFORMATION

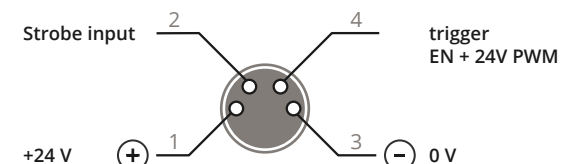
Technical data	
IP category	IP63
Protection Category	III
Ambient temperature	-20 – +40 °C
Isolation resistance	500 V
Housing material	Duralumin

CONNECTOR PIN ASSIGNMENT

Cable connector

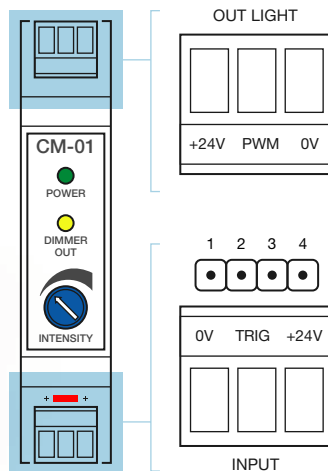


Light connector



CONTROLLER CM-01

Universal illumination intensity controller
Trigger signal input

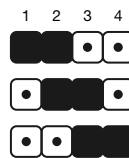


TERMINAL BOX OUTPUT "OUT LIGHT" – LIGHT CONNECTION

Terminal +24 V light positive pole
Terminal PWM PWM signal
Terminal 0 V light negative pole

TERMINAL BOX INPUT "INPUT" – POWER SUPPLY AND CONTROL SIGNAL CONNECTION

Terminal +24 V positive pole of 24 V DC Power Supply
Terminal 0 V negative pole of 24 V DC Power Supply
Terminal TRIG trigger signal from camera, PLC, etc.



CM-01 MODE OPTION

1 – 2 Enable – constant light
2 – 3 Not used
1 – 2 Invert trig – light during log 0 signal

ACCESSORIES INCLUDED

5 m straight cable

OPTIONAL ACCESSORIES

5 m angular cable



Company Office

Smart View s.r.o.
Nivy 313
765 02 Otrokovice
Czech Republic
+420 601 575 797
+420 602 457 497
info@smartview.cz
www.smartview.cz

International Sales Slovakia

MTS, spol. s r.o.
Krivá 53
027 55 Krivá
Slovakia
+421 43 5819 111
mts@mts.sk
www.mts.sk