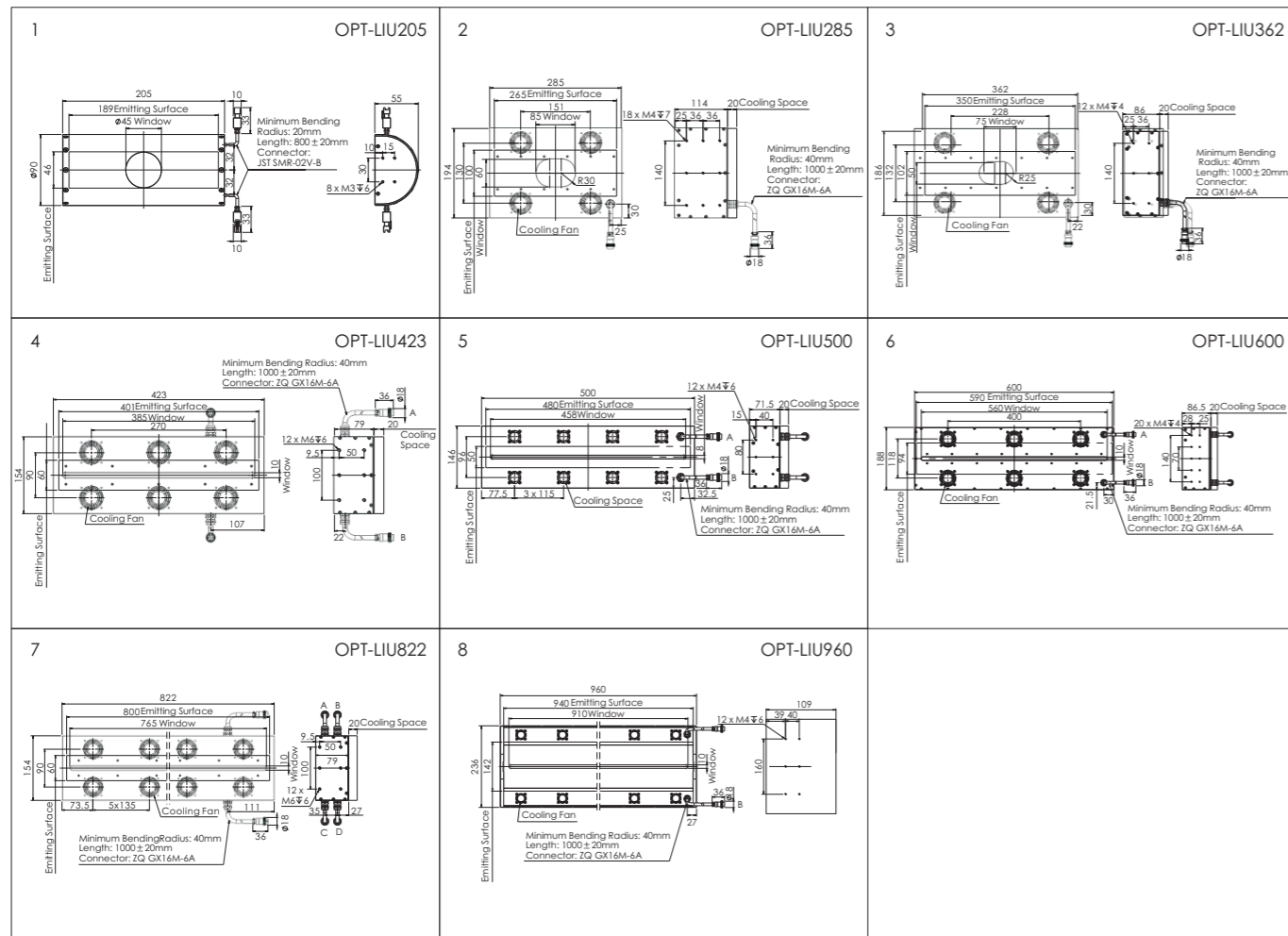


Model Table

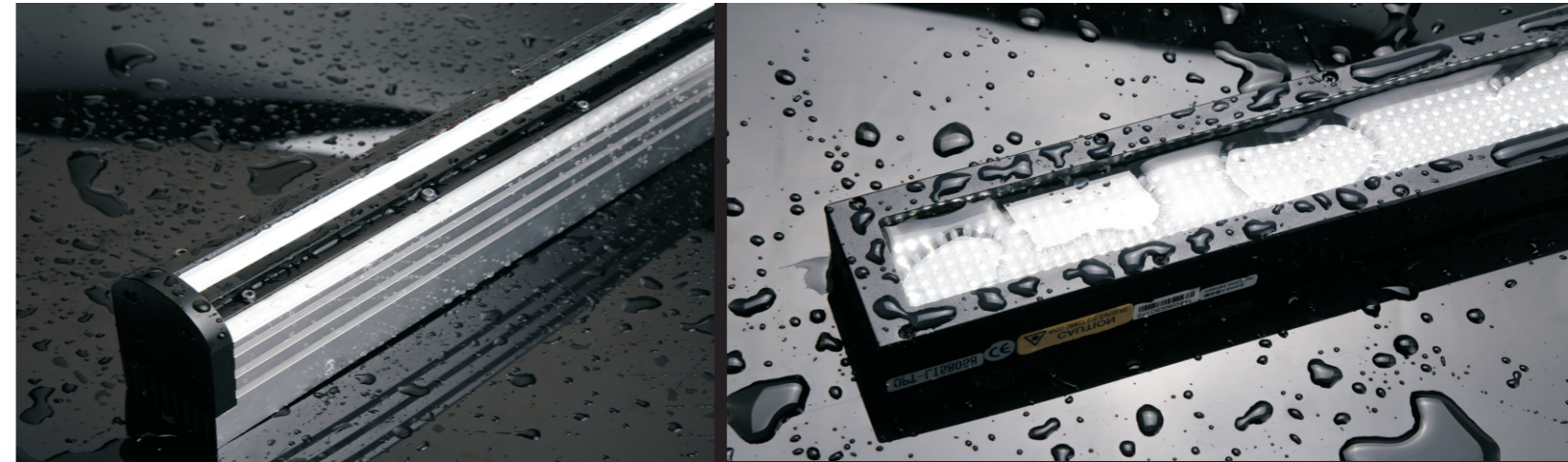
No.	Model	Output ●	Output ○●●	Channel	Recommended controller
1	OPT-LIU205	0.8A/19.2W	1.2A/28.8W	2	OPT-DPA1024E
2	OPT-LIU285	3.2A/76.8W	4.8A/115.2W	1	OPT-DPA6024
3	OPT-LIU362	2.4A/57.6W	4A/96W	1	OPT-DPA6024
4	OPT-LIU423	3.2A/76.8W	7A/168W	2	OPT-DPA6024
5	OPT-LIU500	3.2A/76.8W	4.8A/115.2W	2	OPT-DPA6024
6	OPT-LIU600	3.2A/76.8W	5.6A/134.4W	2	OPT-DPA6024

Dimensional Drawings [mm]



Waterproof Lights

Used in many dusty and wet environments, compliant with IP67 rating



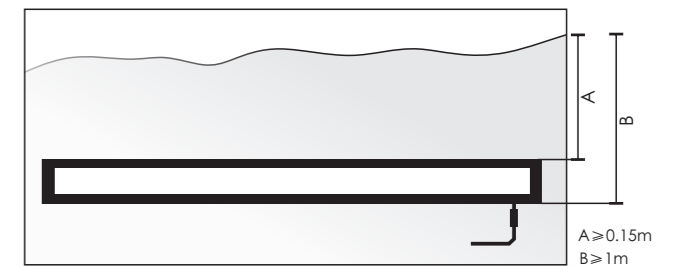
Product Features

- 1 OPT standard items are also available as waterproof variants
- 2 Compliant with IP67 rating
- 3 Ideal for hassle-free operation in dusty and wet environments

OPT waterproof lights are thoroughly tested. They are not just applied in dusty and wet industrial environments, but also in outdoor or under-water applications. Their very compact design, few gaps in the housing and high-end sealing ensure the tightness. OPT waterproof lights also feature a heat transfer system to extend the lifetime of the LEDs.

Customization Options

- Color
- Size
- Mount method
- Waterproof standard
- Heat release method
- Independent control of different areas



The light is tested for 2 hours in a water depth between 15 cm and 1 m.

Application Example



Screw thread inspection

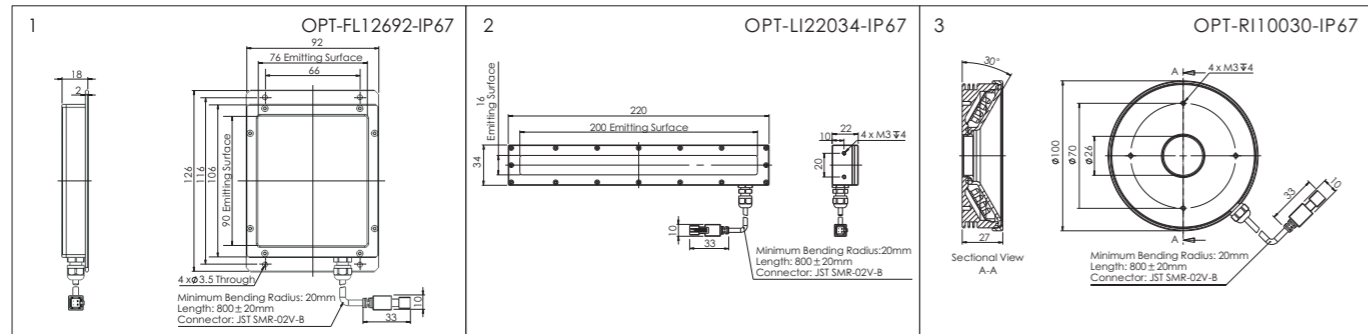


Bottle mouth inspection

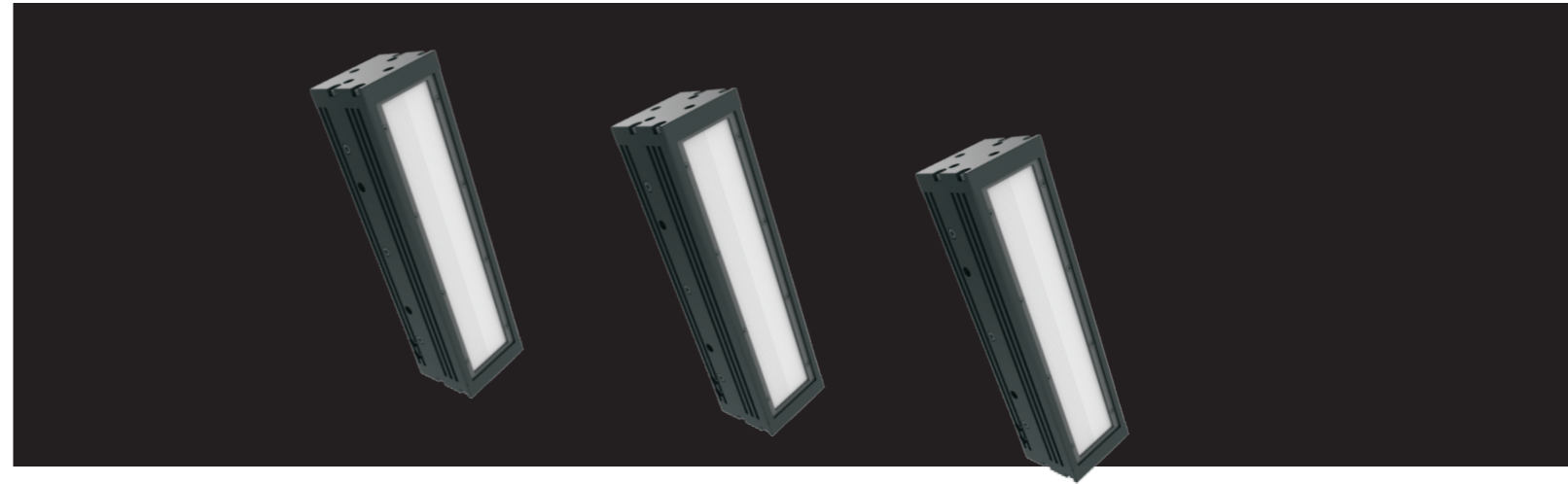
Model Table

Model	Output ●	Output ○●●	Recommended controller
OPT-FL12692-IP67	24V/4.1W	24V/6.1W	OPT-DPA1024E
OPT-LI22034-IP67	24V/2.4W	24V/4.6W	OPT-DPA1024E
OPT-RI10030-IP67	24V/4.6W	24V/5.8W	OPT-DPA1024E

Dimensional Drawings [mm]



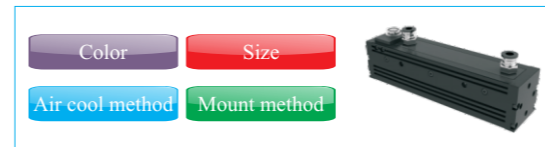
Customized Air Cooled Lights



Product Features

- 1 Compact size, save installation space
- 2 Reduced speckles thanks to a special cylinder lens design
- 3 Suitable for dust-free or air pressure & airflow with special requirements environment.

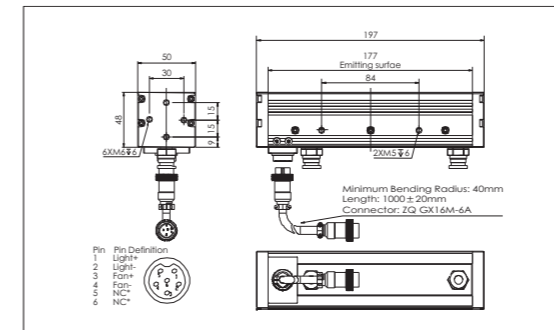
Customization Options



Model Table

Model	Output ●	Output ○●●	Recommended controller
OPT-LSG197	1.2A/28.8W	3.5A/84W	DPA6024

Dimensional Drawings [mm]



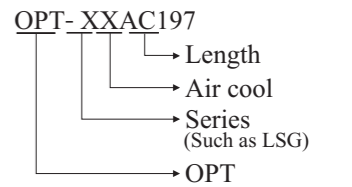
Application Example



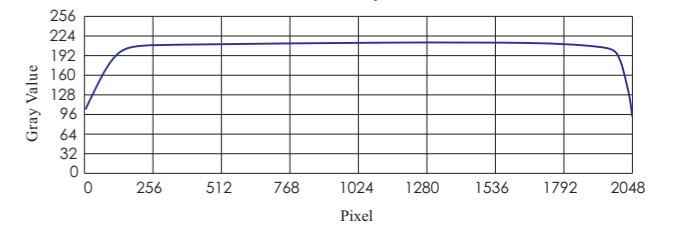
Application Cases

- ◆ Mobile screen surface defects inspection
- ◆ Aluminum surface inspection for scratches
- ◆ Steel surface defects inspection

Selection Guide



Uniformity Chart



Section Structure Drawing

