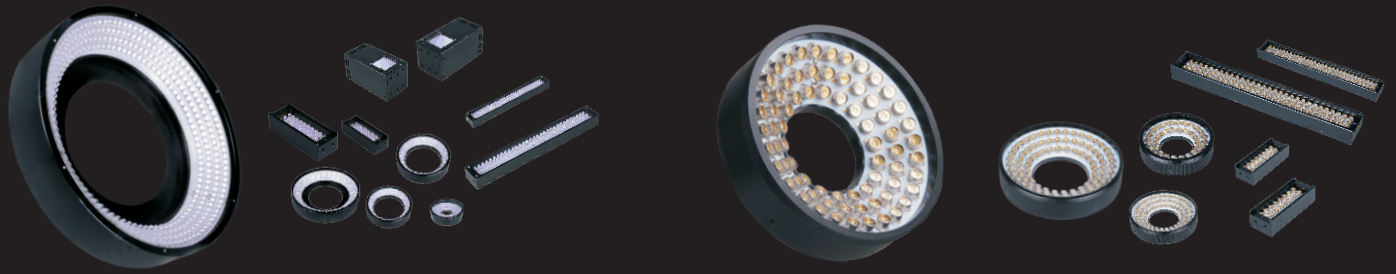


# UV Lights OPT-XX-UV series



## Product Features

- 1 Based on UV LEDs from the globally leading manufacturer
- 2 Utmost stability of the UV light
- 3 Available with 365 nm and 385 nm wavelength; shape and illumination angle can be customized

### Application Cases

- ◆ Inspection of banknotes
- ◆ Fluorescence imaging
- ◆ Identification of fluorescent characters, bar codes and 2D codes
- ◆ Glass inspection for scratches
- ◆ Classification based on photochemical effects
- ◆ Defects inspection



## Customization Options

Wavelength

UV ring angle

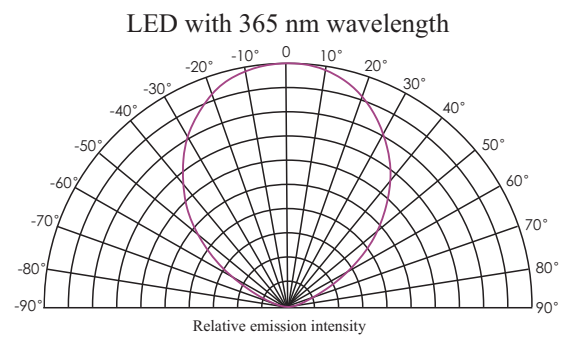
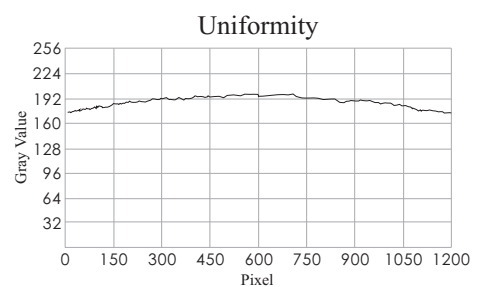
Mount method

Light combination

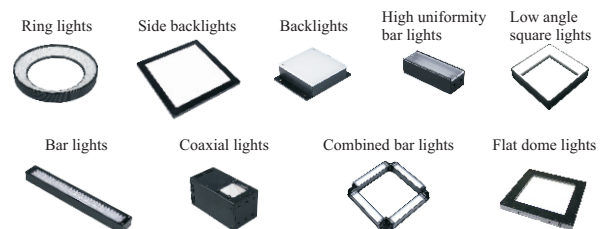
Individual control of different sections

Special selection of SMD LEDs

Size

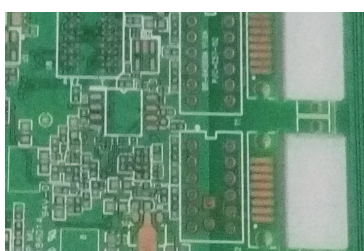


IR versions are available for the following lights with the same dimensions



## Application Example

Inspected item: Presence of glue on PCBs



Original Image



Result Image

Remark: The result of the illumination is only visible with an ultra-violet camera

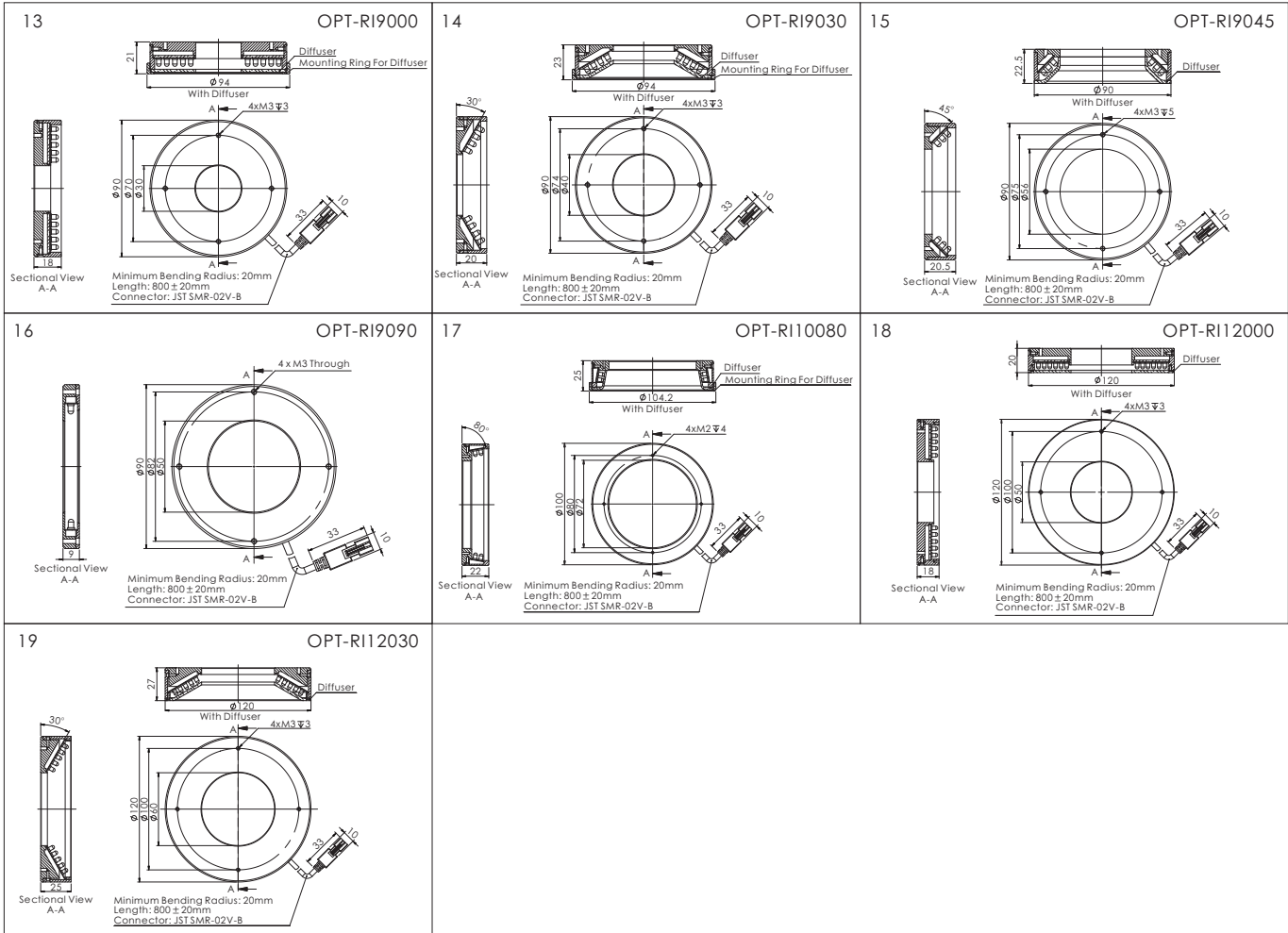
Model Table UV(385 nm)

No.	Model	Output	UV Wavelength	Recommended controller
1	OPT-LI6022-UV	24V/1.4W	385nm	OPT-DPA1024E
2	OPT-LI8532-UV	24V/4.0W	385nm	OPT-DPA1024E
3	OPT-LI11222-UV	24V/3.2W	385nm	OPT-DPA1024E
4	OPT-LI14030-UV	24V/7.4W	385nm	OPT-DPA1024E
5	OPT-LI16030-UV	24V/9.3W	385nm	OPT-DPA1024E
6	OPT-LI48031-UV	24V/20.2W	385nm	OPT-DPA1024E
7	OPT-RI3500-UV	24V/1.1W	385nm	OPT-DPA1024E
8	OPT-RI5030-UV	24V/2.6W	385nm	OPT-DPA1024E
9	OPT-RI7000-UV	24V/4.3W	385nm	OPT-DPA1024E
10	OPT-RI7030-UV	24V/3.8W	385nm	OPT-DPA1024E

No.	Model	Output	UV Wavelength	Recommended controller
11	OPT-RI7060-UV	24V/5.0W	385nm	OPT-DPA1024E
12	OPT-RI7090-UV	24V/1.6W	385nm	OPT-DPA1024E
13	OPT-RI9000-UV	24V/7.2W	385nm	OPT-DPA1024E
14	OPT-RI9030-UV	24V/5.5W	385nm	OPT-DPA1024E
15	OPT-RI9045-UV	24V/6.4W	385nm	OPT-DPA1024E
16	OPT-RI9090-UV	24V/2.1W	385nm	OPT-DPA1024E
17	OPT-RI10080-UV	24V/5.6W	385nm	OPT-DPA1024E
18	OPT-RI12000-UV	24V/11.1W	385nm	OPT-DPA1024E
19	OPT-RI12030-UV	24V/12.5W	385nm	OPT-DPA1024E

Dimensional Drawings [mm]

<p><b>1</b> OPT-LI6022</p> <p>Minimum Bending Radius: 20mm Length: 800 ± 20mm Connector: JST SMR-02V-B</p>	<p><b>2</b> OPT-LI8532</p> <p>Minimum Bending Radius: 20mm Length: 800 ± 20mm Connector: JST SMR-02V-B</p>	<p><b>3</b> OPT-LI11222</p> <p>Minimum Bending Radius: 20mm Length: 800 ± 20mm Connector: JST SMR-02V-B</p>
<p><b>4</b> OPT-LI14030</p> <p>Minimum Bending Radius: 20mm Length: 800 ± 20mm Connector: JST SMR-02V-B</p>	<p><b>5</b> OPT-LI16030</p> <p>Minimum Bending Radius: 20mm Length: 800 ± 20mm Connector: JST SMR-02V-B</p>	<p><b>6</b> OPT-LI48031</p> <p>Minimum Bending Radius: 20mm Length: 800 ± 20mm Connector: JST SMR-02V-B</p>
<p><b>7</b> OPT-RI3500</p> <p>Minimum Bending Radius: 20mm Length: 800 ± 20mm Connector: JST SMR-02V-B</p>	<p><b>8</b> OPT-RI5030</p> <p>Minimum Bending Radius: 20mm Length: 800 ± 20mm Connector: JST SMR-02V-B</p>	<p><b>9</b> OPT-RI7000</p> <p>Minimum Bending Radius: 20mm Length: 800 ± 20mm Connector: JST SMR-02V-B</p>
<p><b>10</b> OPT-RI7030</p> <p>Minimum Bending Radius: 20mm Length: 800 ± 20mm Connector: JST SMR-02V-B</p>	<p><b>11</b> OPT-RI7060</p> <p>Minimum Bending Radius: 20mm Length: 800 ± 20mm Connector: JST SMR-02V-B</p>	<p><b>12</b> OPT-RI7090</p> <p>Minimum Bending Radius: 20mm Length: 800 ± 20mm Connector: JST SMR-02V-B</p>



### Model Table UV(365 nm)

No.	Model	Output	UV Wavelength	Recommended controller
1	OPT-LI6424-UV	24V/1.4W	365nm	OPT-DPA1024E
2	OPT-LI11624-UV	24V/2.9W	365nm	OPT-DPA1024E
3	OPT-LI21230-UV	24V/6.5W	365nm	OPT-DPA1024E

No.	Model	Output	UV Wavelength	Recommended controller
4	OPT-RI6030-UV	24V/2.4W	365nm	OPT-DPA1024E
5	OPT-RI7530-UV	24V/4.3W	365nm	OPT-DPA1024E
6	OPT-RI9030-UV	24V/5.2W	365nm	OPT-DPA1024E

### Dimensional Drawings [mm]

